

• 12VDC CENTRIFUGAL BLOWERS

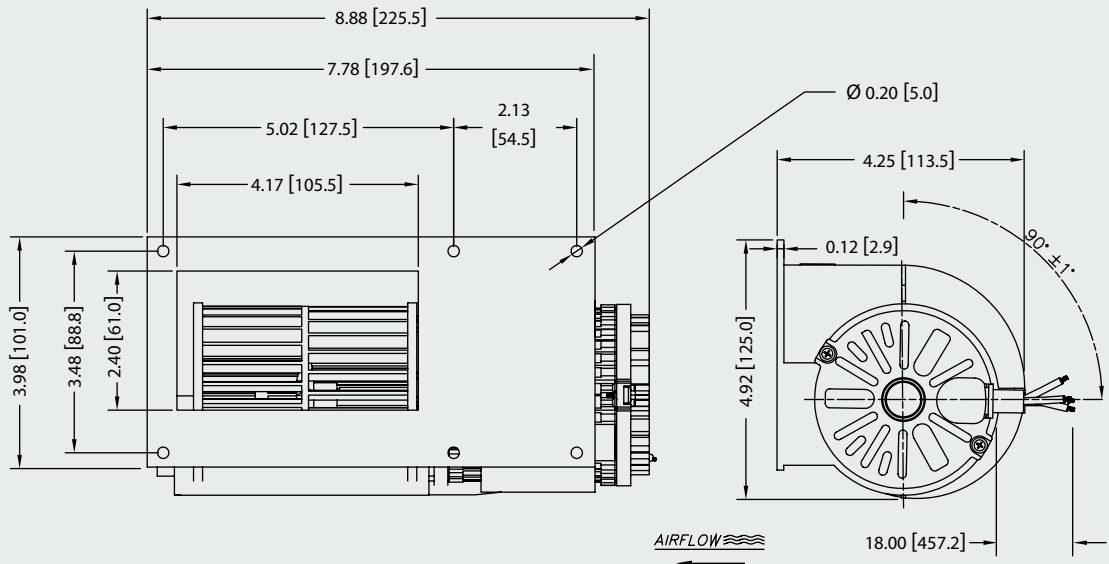


MODEL INFORMATION*

PART#	TYPE	VOLTS	SPEED	MATERIAL
2302-B-1	SINGLE SCROLL	12VBLDC	SINGLE	GF NYLON

*ALSO AVAILABLE IN 24VDC

BRUSHLESS



TYPICAL AIR PERFORMANCE @ 13.5VDC
BH7800 SINGLE SPEED SINGLE SCROLL BLOWER

STATIC PRESSURE IN H ₂ O	STATIC PRESSURE mm H ₂ O	CFM	m ³ /h	Amps
0	0.0	178	302	6.4
0.1	2.5	174	296	6.3
0.2	5	170	289	6.1
0.3	7.5	166	282	5.9
0.4	10	160	272	5.8
0.5	12.5	153	260	5.6
0.6	15	142	241	5.2
0.7	17.5	133	226	5.0
0.8	20	124	211	4.7
0.9	22.5	112	190	4.4
1.0	25	106	180	4.2
1.2	30	89	151	3.8
1.4	35	71	121	3.4
1.6	40	54	92	3.0
1.8	45	20	34	2.2

STALL @ 2.01" [51.1mm] – 2.1 Amps

