

# 12VDC CENTRIFUGAL BLOWERS

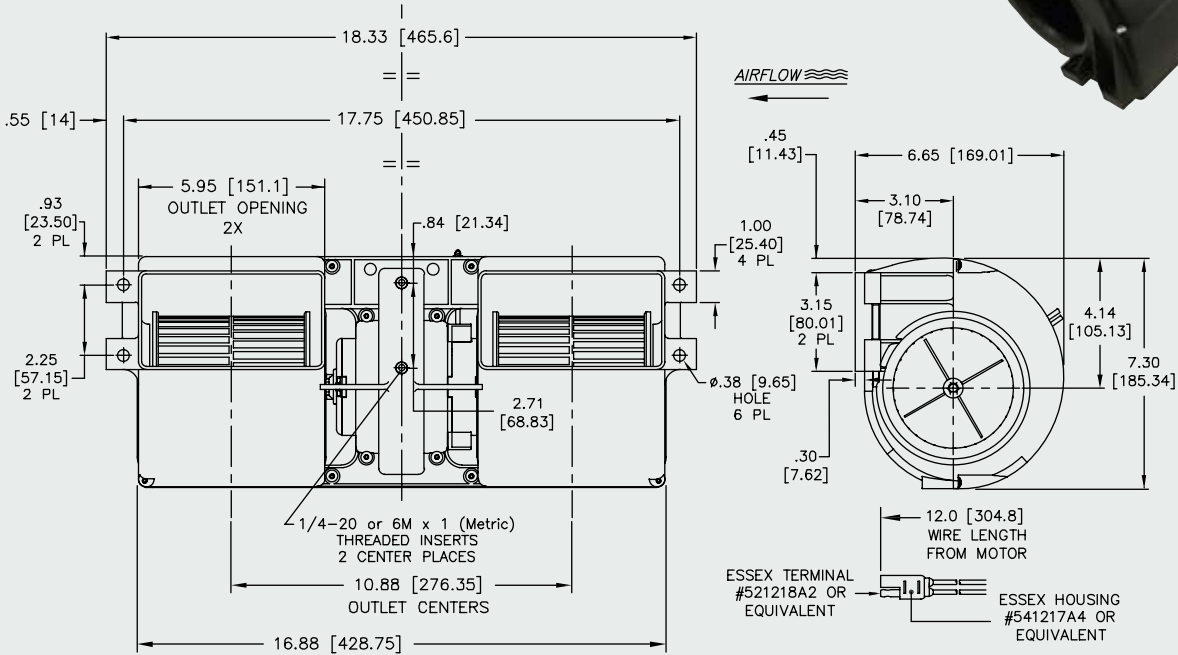
**TEC2007 SERIES  
DUAL SCROLL**



## MODEL INFORMATION\*

PART#	TYPE	VOLTS	SPEEDS	INSERTS	MATERIAL
TA0050022	DUAL SCROLL	12VDC	SINGLE	STANDARD	GF NYLON
TA0050023	DUAL SCROLL	12VDC	SINGLE	METRIC	GF NYLON

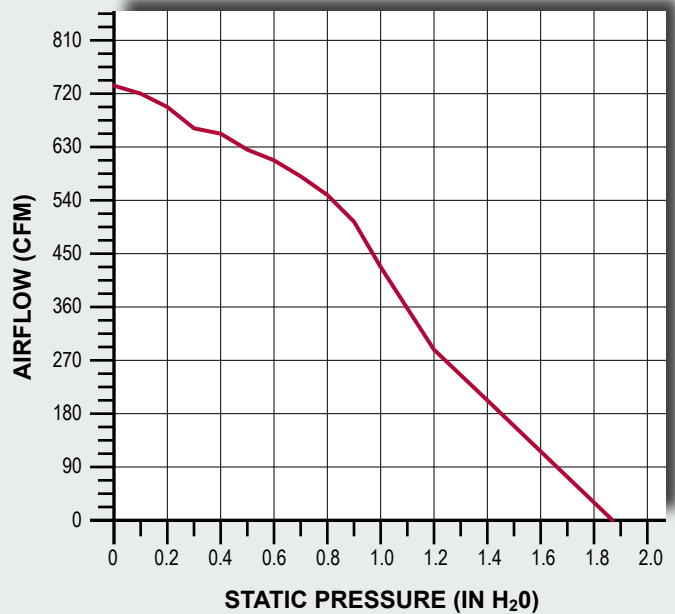
\*ALSO AVAILABLE IN 24VDC



## TYPICAL AIR PERFORMANCE @ 13.5VDC TEC2007 SINGLE SPEED DUAL SCROLL BLOWER

STATIC PRESSURE IN H <sub>2</sub> O	STATIC PRESSURE mm H <sub>2</sub> O	CFM	m <sup>3</sup> /h	Amps
0	0.0	735	1249	19.2
0.1	2.5	718	1220	18.8
0.2	5	699	1188	18.6
0.3	7.5	665	1130	18.0
0.4	10	654	1111	17.8
0.5	12.5	626	1064	17.1
0.6	15	606	1030	16.9
0.7	17.5	581	987	16.2
0.8	20	547	929	15.7
0.9	22.5	502	853	14.8
1.0	25	428	727	13.6
1.2	30	289	491	11.5
1.4	35	202	343	9.8

STALL @ 1.88" [47.8mm]



TEC2007 / BH1600