

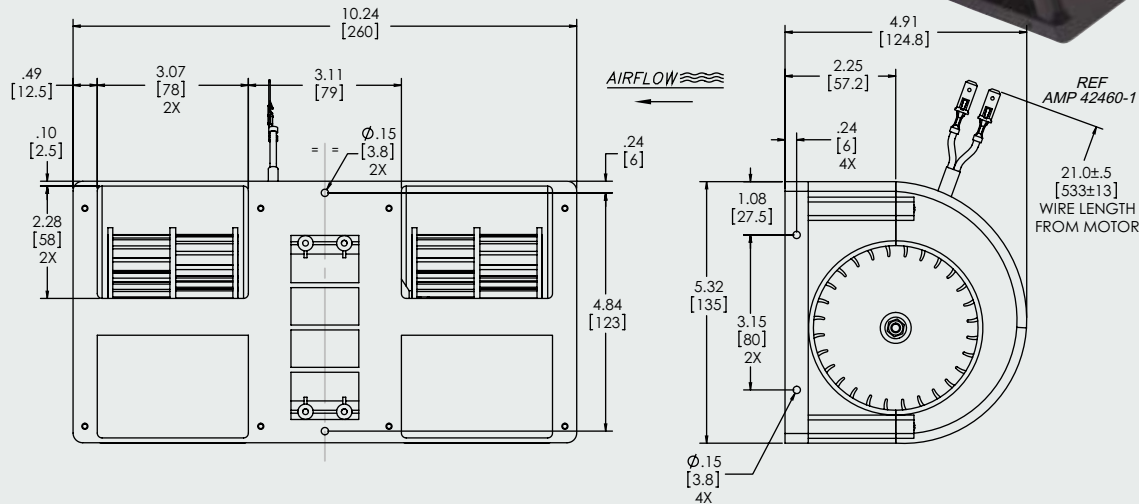
12VDC CENTRIFUGAL BLOWERS

**BH1100 SERIES
SINGLE SCROLL**

MODEL INFORMATION*

PART#	TYPE	VOLTS	SPEED	MATERIAL
BH1100-02	DUAL SCROLL	12VDC	SINGLE	MFGF NYLON

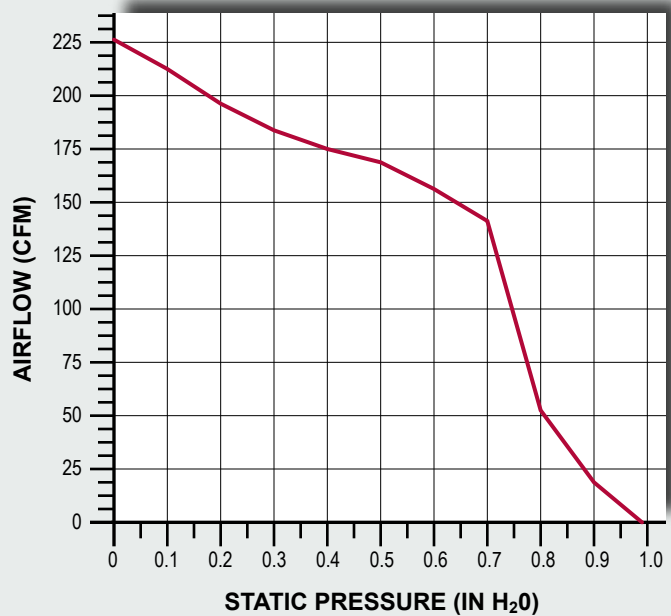
*ALSO AVAILABLE IN 24VDC



TYPICAL AIR PERFORMANCE @ 13.5VDC BH1100 SINGLE SPEED DUAL SCROLL BLOWER

STATIC PRESSURE IN H ₂ O	STATIC PRESSURE mm H ₂ O	CFM	m ³ /h	Amps
0	0.0	227	386	4.6
0.1	2.5	212	360	4.4
0.2	5	196	333	4.2
0.3	7.5	184	313	4.0
0.4	10	175	297	3.9
0.5	12.5	169	287	3.8
0.6	15	156	265	3.6
0.7	17.5	141	240	3.3
0.8	20	52	88	2.1
0.9	22.5	19	32	1.9

STALL @ 0.99" [25.1mm] – 1.8 Amps



BH4400 / BH1700 /
BH1900