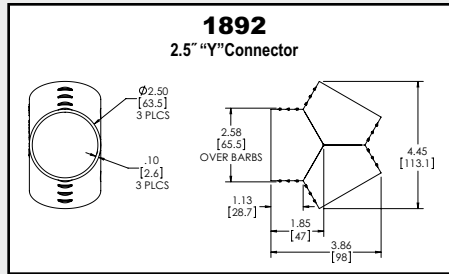
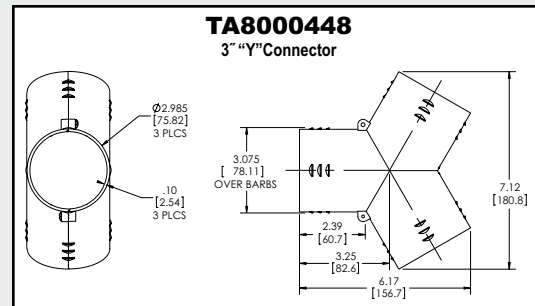


## Flexhose "Y" Connectors



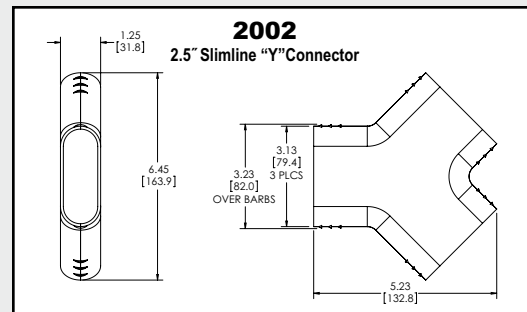
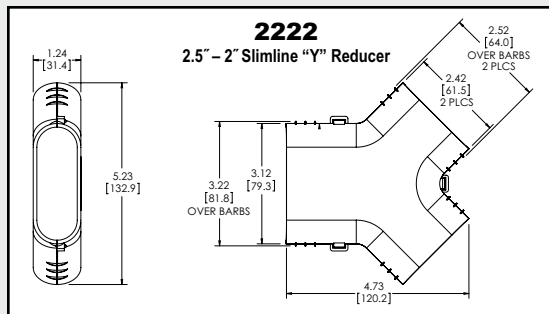
See opposite page for 1893 (step up adapter) dimensions.



See opposite page for 1894 (step down adapter) dimensions.

The universal flexhose connectors can be used in a variety of ways to distribute air. The "anti-slip" barbs aid in installation. Material – High Impact ABS (black). Special order materials are available upon request (minimum quantities apply). Please contact DCM for more information.

## Slimline Flexhose "Y" Reducer & Connector



The slimline 2.5" - 2" flexhose reducer is ideal for 2" ball louver or other 2" louver designs. The slimline 2.5" flexhose connector's direct connection avoids bending the flexhose & restriction on air. Both are designed for air distribution in minimal space applications. Material – High Impact ABS (black). Special order materials are available upon request (minimum quantities apply). Please contact DCM for more information.