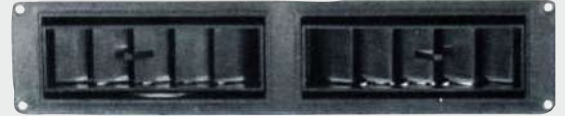
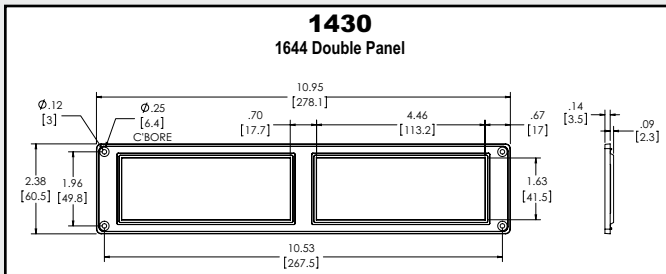


LOUVERS & ACCESSORIES

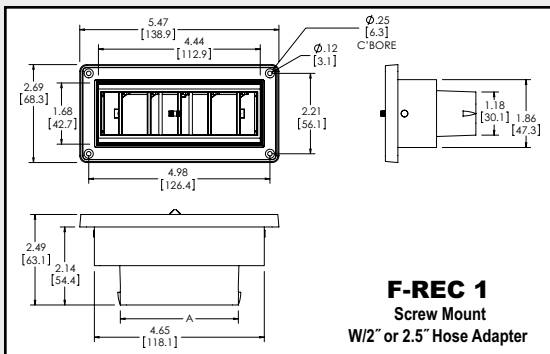
ADV. DBLE. PANEL /
F-REC SERIES

Advantage Series Double Panel

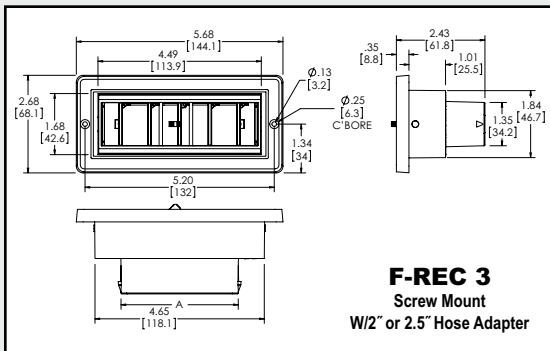


Material – High Impact ABS (black). Special order colors and materials are available upon request (minimum quantities apply).

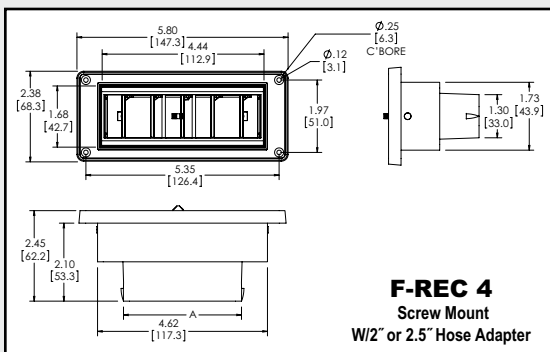
F-REC Series



F-REC 1
Screw Mount
W/2" or 2.5" Hose Adapter



F-REC 3
Screw Mount
W/2" or 2.5" Hose Adapter



F-REC 4
Screw Mount
W/2" or 2.5" Hose Adapter

TECHNICAL DATA:

1. Material – High Impact ABS (black).
2. Specify black or black w/chrome features (box or louver cover).
3. Special order colors available upon request (minimum quantities apply).

1934-1-A-B



1934-A-B



F-REC 1 (Screw Mount)

PART#	DESCRIPTION	A
1934-1-A-B	& W/2" Hose Adapter	2.54 [64.6]
1934-A-B	W/2.5" Hose Adapter	3.24 [82.3]

Hot stamp (black w/chrome features) part #'s in (). Advantage Deflector may also be used.

1990-1-B



1990-B



F-REC 3 (Screw Mount)

PART#	DESCRIPTION	A
1990-1-B	W/2" Hose Adapter	2.29 [58.1]
1990-B	W/2.5" Hose Adapter	3.22 [81.8]

Hot stamp (black w/chrome features) part #'s in (). Advantage Deflector may also be used.

1989-B-2



1956-A



F-REC 4 (Screw Mount)

PART#	DESCRIPTION	A
1989-B-2	W/2" Hose Adapter	2.26 [57.4]
1956-A	W/2.5" Hose Adapter	3.07 [78.0]

Hot stamp (black w/chrome features) part #'s in (). Advantage Deflector may also be used.

4. Optional hose adapters 2" or 2.5".
5. Mount with 4 screws (F-REC 1 & F-REC 4) or 2 screws (F-REC 3).
6. Other options available. Please contact DCM for more information.