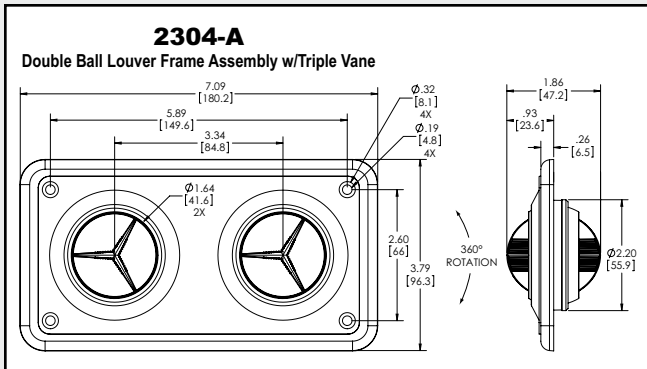
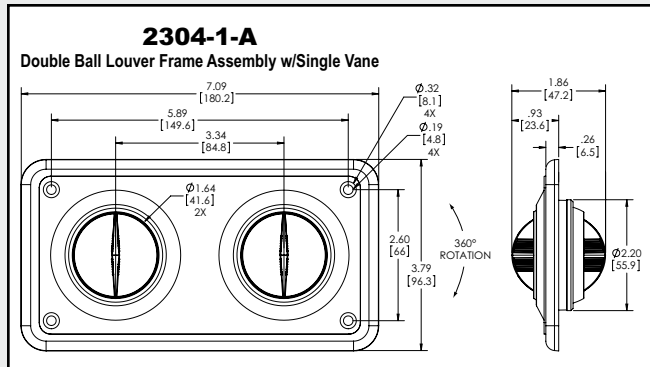
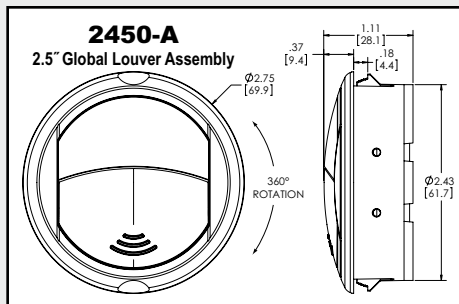
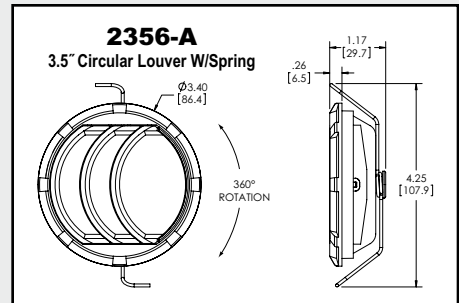
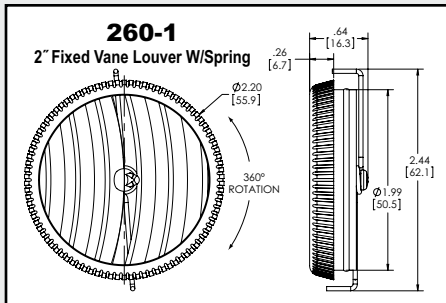


Double Ball Louver Assembly



All louvers are molded out of High Impact ABS (black). Special order color and high heat material available upon request (minimum quantities apply).

Miscellaneous Round



All louvers are molded out of High Impact ABS (black). Special order color and high heat material available upon request (minimum quantities apply).