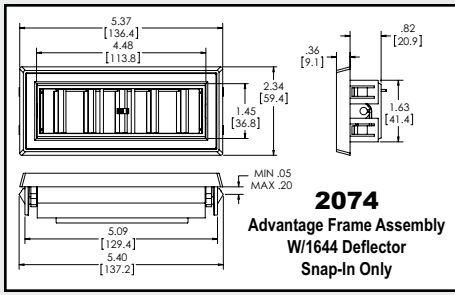
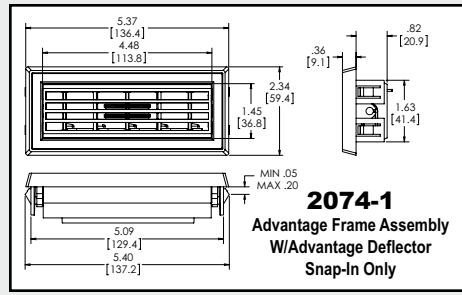


LOUVERS & ACCESSORIES

Advantage Series – Snap-In Frame Only (No Hose Adapter)



2074
Advantage Frame Assembly
W/1644 Deflector
Snap-In Only



2074-1
Advantage Frame Assembly
W/Advantage Deflector
Snap-In Only

Material – High Impact ABS (black). Special order colors and materials are available upon request (minimum quantities apply).

Advantage Series – Snap-In or Screw Mount W/Hose Adapters

2066-1 (1644 Deflector)



2066-2 (Advantage Deflector)



ADVANTAGE (Snap-In W/2.5" Hose Adapter)

PART#	DESCRIPTION
2066-1 (2066-1-HS)*	W/1644 Deflector
2066-2 (2066-2-HS)*	W/Advantage Deflector

* Hot stamp (black w/chrome features) part #'s in ().

2088-1 (1644 Deflector)



2088-2 (Advantage Deflector)



ADVANTAGE (Snap-In or Screw Mount W/2.5" Hose Adapter)

PART#	DESCRIPTION
2088-1 (2088-1-HS)*	W/1644 Deflector
2088-2 (2088-2-HS)*	W/Advantage Deflector

* Hot stamp (black w/chrome features) part #'s in ().

2094-1 (1644 Deflector)



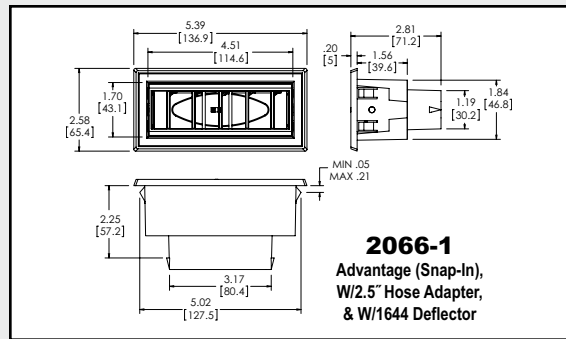
2094-2 (Advantage Deflector)



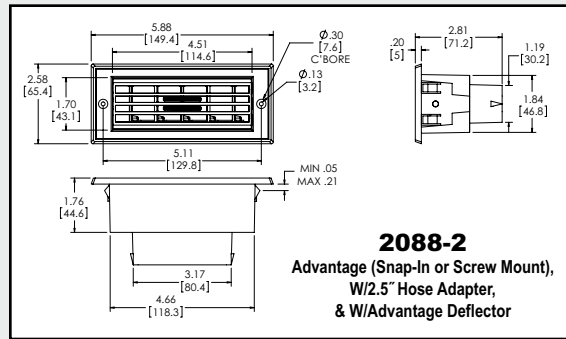
ADVANTAGE (Screw Mount W/2.5" Hose Adapter)

PART#	DESCRIPTION
2094-1 (2094-1-HS)*	W/1644 Deflector
2094-2 (2094-2-HS)*	W/Advantage Deflector

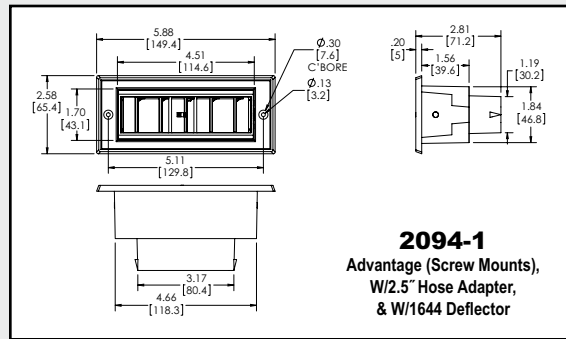
* Hot stamp (black w/chrome features) part #'s in ().



2066-1
Advantage (Snap-In),
W/2.5" Hose Adapter,
& W/1644 Deflector



2088-2
Advantage (Snap-In or Screw Mount),
W/2.5" Hose Adapter,
& W/Advantage Deflector



2094-1
Advantage (Screw Mounts),
W/2.5" Hose Adapter,
& W/1644 Deflector

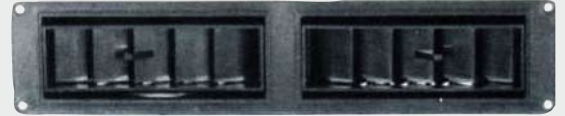
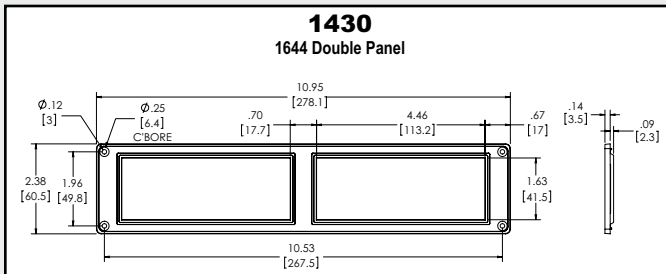
TECHNICAL DATA:

1. Material – High Impact ABS (black).
2. Specify black or black w/chrome features (HS = hot stamp).
3. Special order colors available upon request (minimum quantities apply).
4. Snap-In type box design or mount with 2 screws.
5. Other options available. Please contact DCM for more information.

LOUVERS & ACCESSORIES

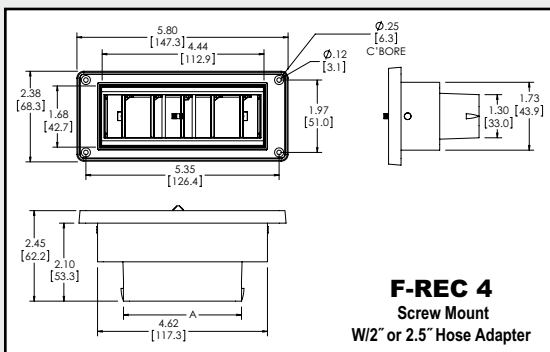
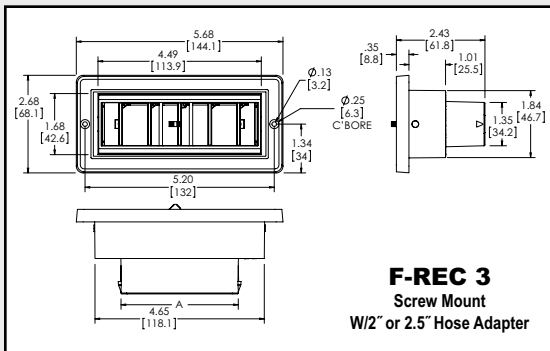
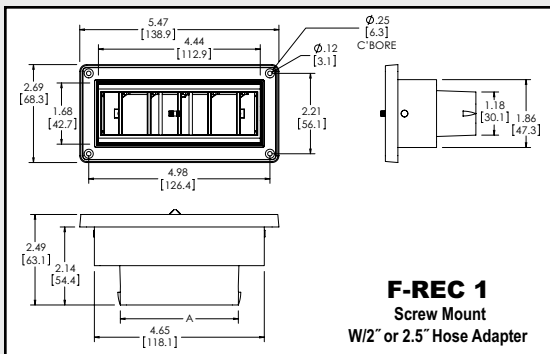
ADV. DBLE. PANEL /
F-REC SERIES

Advantage Series Double Panel



Material – High Impact ABS (black). Special order colors and materials are available upon request (minimum quantities apply).

F-REC Series



TECHNICAL DATA:

1. Material – High Impact ABS (black).
2. Specify black or black w/chrome features (box or louver cover).
3. Special order colors available upon request (minimum quantities apply).

1934-1-A-B



1934-A-B



F-REC 1 (Screw Mount)

PART#	DESCRIPTION	A
1934-1-A-B	& W/2" Hose Adapter	2.54 [64.6]
1934-A-B	W/2.5" Hose Adapter	3.24 [82.3]

Hot stamp (black w/chrome features) part #'s in (). Advantage Deflector may also be used.

1990-1-B



1990-B



F-REC 3 (Screw Mount)

PART#	DESCRIPTION	A
1990-1-B	W/2" Hose Adapter	2.29 [58.1]
1990-B	W/2.5" Hose Adapter	3.22 [81.8]

Hot stamp (black w/chrome features) part #'s in (). Advantage Deflector may also be used.

1989-B-2



1956-A



F-REC 4 (Screw Mount)

PART#	DESCRIPTION	A
1989-B-2	W/2" Hose Adapter	2.26 [57.4]
1956-A	W/2.5" Hose Adapter	3.07 [78.0]

Hot stamp (black w/chrome features) part #'s in (). Advantage Deflector may also be used.

4. Optional hose adapters 2" or 2.5".
5. Mount with 4 screws (F-REC 1 & F-REC 4) or 2 screws (F-REC 3).
6. Other options available. Please contact DCM for more information.