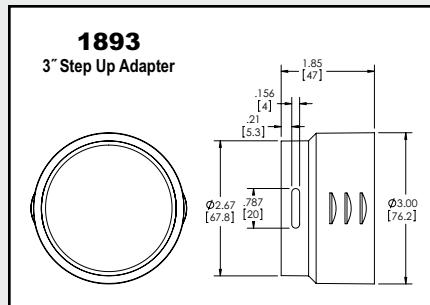


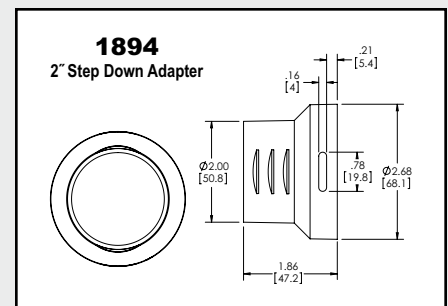
LOUVERS & ACCESSORIES

HOSE ADAPTERS
& REDUCERS

Step Up & Step Down Adapters for 1892



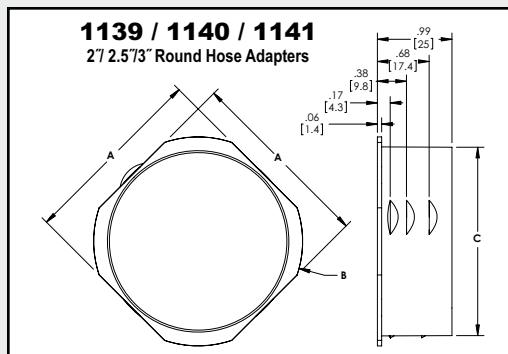
See opposite page for 1892 ("Y" connector) dimensions.



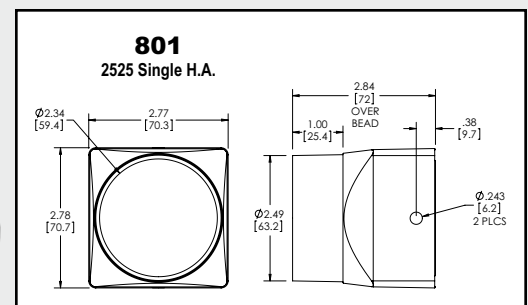
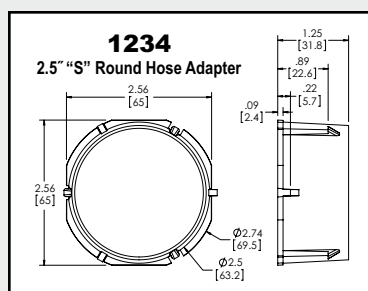
See opposite page for TA8000448 ("Y" connector) dimensions.

These adapters were engineered to snap on the 2.5" flexhose "Y" connector (1892 opposite page). However, they can be used as an adapter on any standard 2.5" flexhose outlet for controlling air distribution. Material – High Impact ABS (black). Special order materials are available upon request (minimum quantities apply). Please contact DCM for more information.

2", 2.5" & 3" Hose Adapters



DIMENSIONS			
PART#	A	B	C
1139	1.93 [49.0]	Ø2.24 [56.9]	Ø1.98 [50.3]
1140	2.48 [63.0]	Ø2.77 [68.6]	Ø2.50 [63.5]
1141	2.93 [74.4]	Ø3.25 [82.6]	Ø3.00 [76.2]



For all injection molded, vacuum form or sheet metal applications. Material – High Impact ABS (black). Special order materials are available upon request (minimum quantities apply). Please contact DCM for more information.