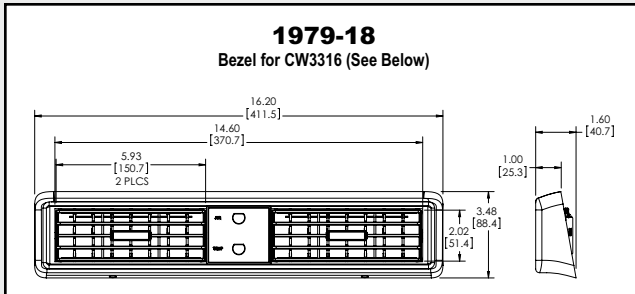


CW3316 Bezel & Case Wrapper



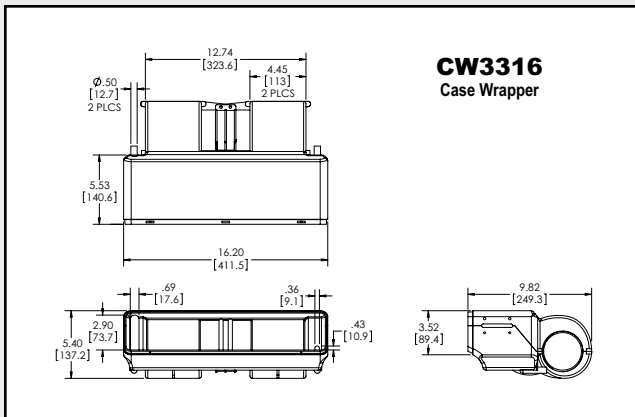
TECHNICAL DATA:

1. Black texturized resilient surface.
2. Right hand, left hand, and center switchplate options.

3316 BEZEL CENTER	
PART#	DESCRIPTION
1979-18	W/2868, W/HS Slide Bar & W/HS Switch Plate
1979-24	W/2869, W/HS Slide Bar & W/HS Switch Plate

Other options available including left or right openings.

3. Minimum release quantities required.
4. Other options available. Please contact DCM for more information.



CW3316 CASE WRAPPER	
PART#	DESCRIPTION
CW3316-1N-L	Case Wrapper Assembly, Left Hand 1-Nut
CW3316-1N-R	Case Wrapper Assembly, Right Hand 1-Nut
CW3316-2N-L	Case Wrapper Assembly, Left Hand 2-Nut
CW3316-2N-R	Case Wrapper Assembly, Right Hand 2-Nut

TECHNICAL DATA:

1. Material – High Impact ABS (black).
2. Special order high heat material available upon request (minimum quantities apply).
3. Accommodates blower wheel 1788.



4. Uses DCM motor D-001-632 (12V) 3-Speed or D-001-635 (24V) 3-Speed. Optional special order motors also available. Please contact DCM for more information.