

FAN DIAMETER
9" [225mm]

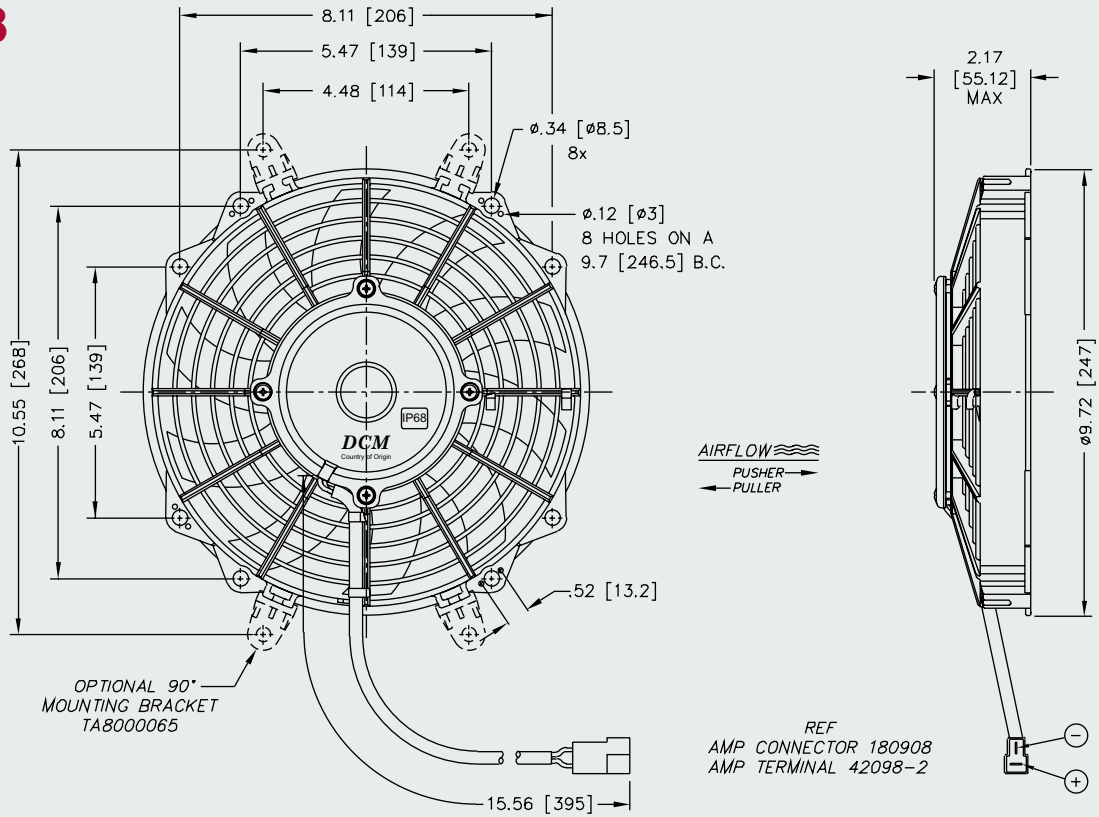
12VDC AXIAL MOTOR FANS



IP68

MODEL INFORMATION

PART#	TYPE	VOLTS	WATTS	BLADE	MATERIAL
TA09A2003	PULLER	12VDC	130W	"S"	GF NYLON
TB09A2002	PULLER	24VDC	130W	"S"	GF NYLON



TYPICAL AIR PERFORMANCE @ 13.5VDC 9" 130W "S" BLADE PULLER FANS

STATIC PRESSURE IN H ₂ O	STATIC PRESSURE mm H ₂ O	CFM	m ³ /h	Amps
0	0.0	730	1240	7.3
0.1	2.5	695	1180	7.6
0.2	5	659	1114	8.0
0.3	7.5	630	1070	8.2
0.4	10	550	934	8.4
0.6	15	412	700	8.5
0.8	20	286	486	8.8
1.0	25	177	301	9.4
1.2	30	100	170	9.6

STALL @ 1.46" [37.1mm]

