

**FAN DIAMETER  
9" [225mm]**

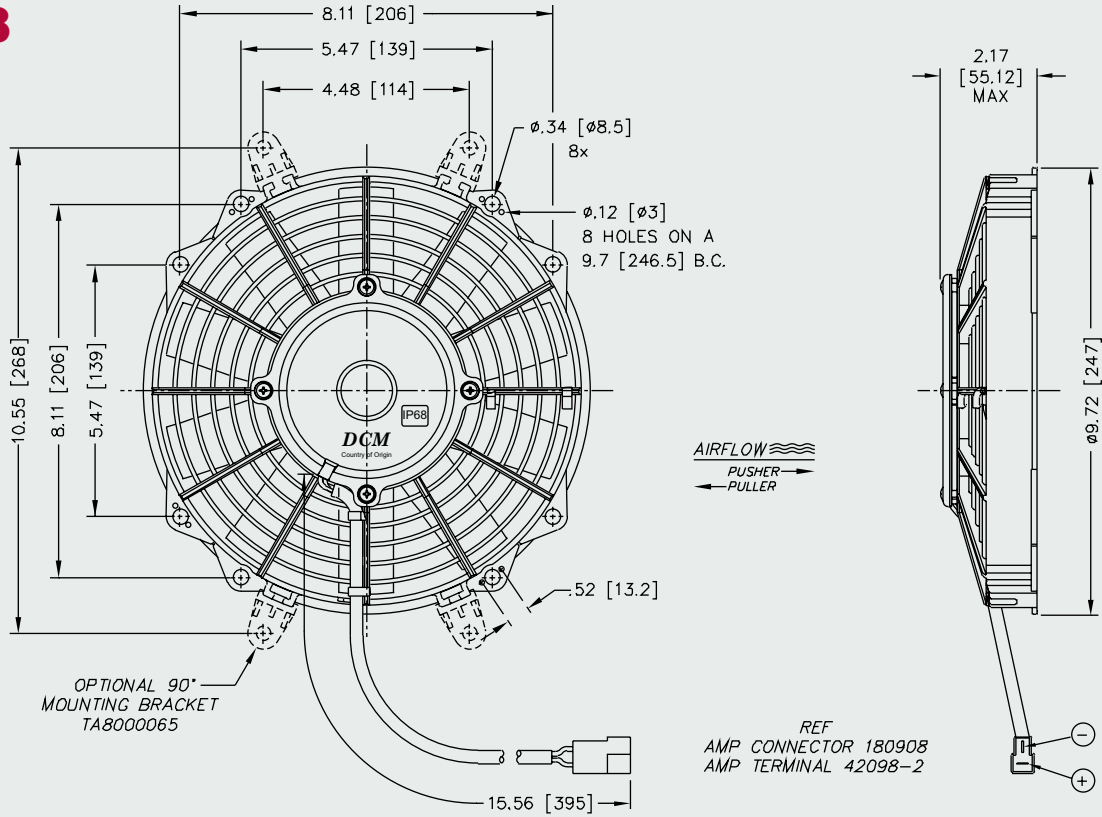
# 12VDC AXIAL MOTOR FANS



**IP68**

## MODEL INFORMATION

PART#	TYPE	VOLTS	WATTS	BLADE	MATERIAL
TA09A1003	PULLER	12VDC	130W	STRAIGHT	GF NYLON
TA09S1003	PUSHER	12VDC	130W	STRAIGHT	GF NYLON
TB09A1002	PULLER	24VDC	130W	STRAIGHT	GF NYLON
TB09S1002	PUSHER	24VDC	130W	STRAIGHT	GF NYLON



## TYPICAL AIR PERFORMANCE @ 13.5VDC 9" 130W STRAIGHT BLADE PULLER/PUSHER FANS

STATIC PRESSURE IN H <sub>2</sub> O	STATIC PRESSURE mm H <sub>2</sub> O	CFM	m <sup>3</sup> /h	Amps
0	0.0	647	1099	6.5
0.1	2.5	618	1050	6.7
0.2	5	589	1001	6.8
0.3	7.5	524	890	7.0
0.4	10	459	780	7.0
0.5	12.5	377	641	7.0
0.6	15	294	500	6.9
0.8	20	177	301	7.4
1.0	25	74	126	7.5

STALL @ 1.12" [28.4mm] – 7.6 Amps

