

**FAN DIAMETER
9" [225mm]**

12VDC AXIAL MOTOR FANS

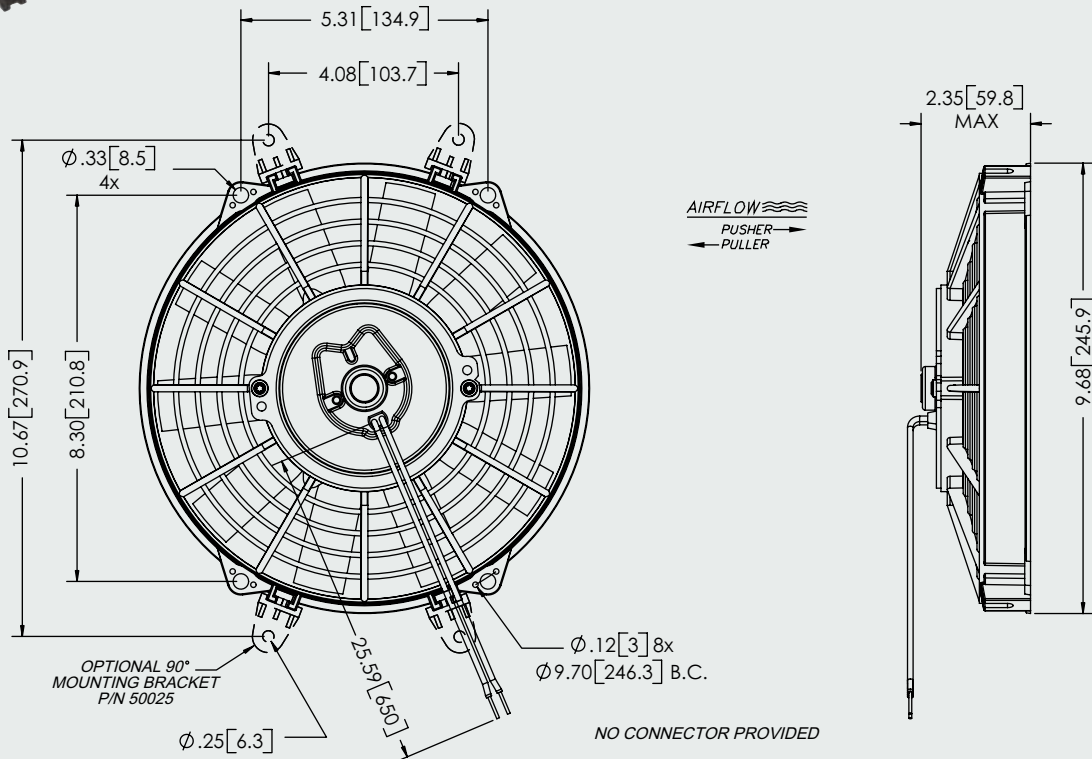


MODEL INFORMATION*

PART#	TYPE	VOLTS	WATTS	BLADE	MATERIAL
P-809-A	PULLER	12VDC	90W	STRAIGHT	MFGF NYLON
P-809-S	PUSHER	12VDC	90W	STRAIGHT	MFGF NYLON

*ALSO AVAILABLE IN 24VDC

REVERSIBLE



TYPICAL AIR PERFORMANCE @ 13.5VDC 9" 90W STRAIGHT BLADE PULLER/PUSHER FANS

STATIC PRESSURE IN H ₂ O	STATIC PRESSURE mm H ₂ O	CFM	m ³ /h	Amps
0	0.0	639	1086	6.5
0.1	2.5	586	996	6.5
0.2	5	512	870	6.5
0.3	7.5	395	671	6.1
0.4	10	301	511	5.9
0.5	12.5	231	392	6.2
0.6	15	166	282	6.3
0.7	17.5	111	189	6.4
0.8	20	43	73	6.5

STALL @ 0.87" [22.1mm] – 7.1 Amps

