

# 12VDC AXIAL MOTOR FANS

FAN DIAMETER  
9" [225mm]

## MODEL INFORMATION\*

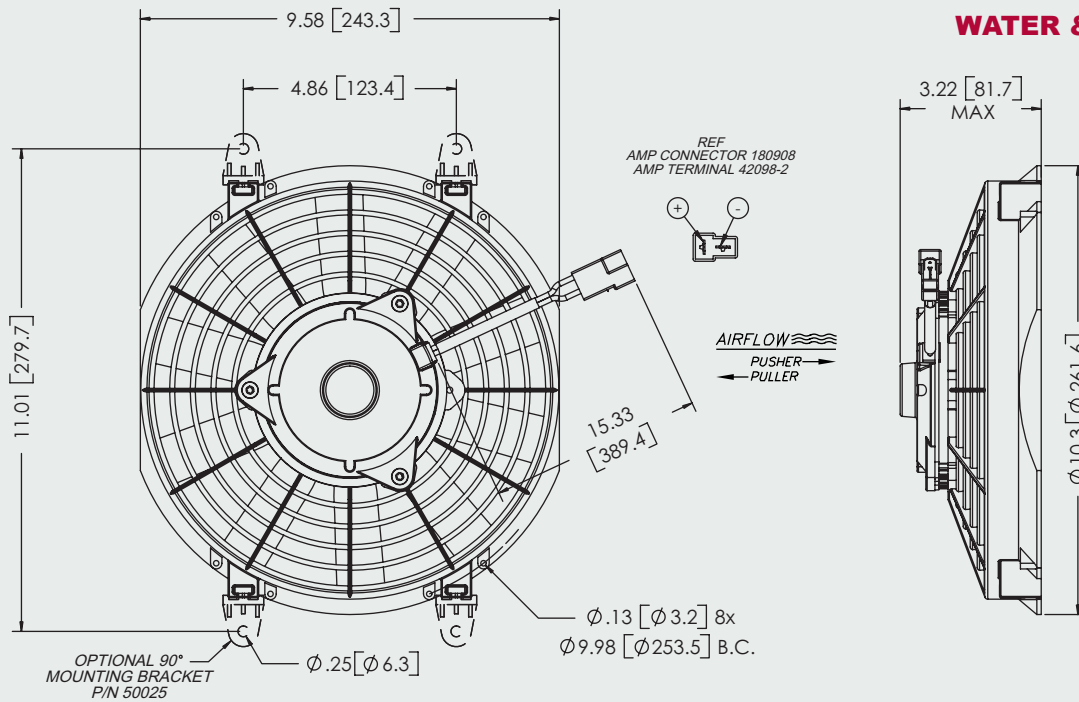
| PART#  | TYPE   | VOLTS | WATTS | BLADE    | MATERIAL   |
|--------|--------|-------|-------|----------|------------|
| 810026 | PULLER | 12VDC | 125W  | STRAIGHT | MFGF NYLON |
| 810028 | PUSHER | 12VDC | 125W  | STRAIGHT | MFGF NYLON |

\*ALSO AVAILABLE IN 24VDC

**REVERSIBLE**



**WATER & DUST RESISTANT**



9" LOW PROFILE

## TYPICAL AIR PERFORMANCE @ 13.5VDC 9" 125W STRAIGHT BLADE PULLER/PUSHER FANS

| STATIC PRESSURE IN H <sub>2</sub> O | STATIC PRESSURE mm H <sub>2</sub> O | CFM | m <sup>3</sup> /h | Amps |
|-------------------------------------|-------------------------------------|-----|-------------------|------|
| 0                                   | 0.0                                 | 582 | 989               | 6.5  |
| 0.1                                 | 2.5                                 | 516 | 877               | 6.3  |
| 0.2                                 | 5                                   | 425 | 722               | 6.0  |
| 0.3                                 | 7.5                                 | 360 | 612               | 6.0  |
| 0.4                                 | 10                                  | 276 | 469               | 6.1  |
| 0.5                                 | 12.5                                | 209 | 355               | 6.3  |
| 0.6                                 | 15                                  | 122 | 207               | 6.3  |
| 0.7                                 | 17.5                                | 40  | 68                | 6.3  |

STALL @ 0.78" [19.8mm] - 6.4 Amps

