

**FAN DIAMETER  
9" [225mm]**

# 12VDC AXIAL MOTOR FANS

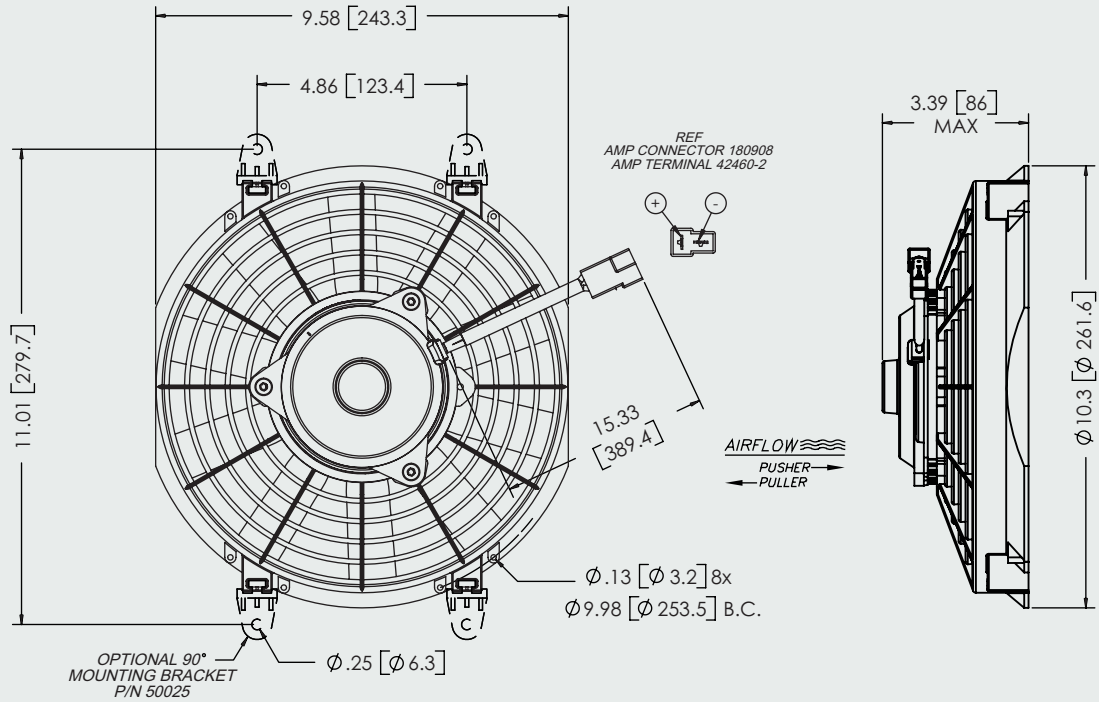


MODEL INFORMATION*					
PART#	TYPE	VOLTS	WATTS	BLADE	MATERIAL
810026HP	PULLER	12VDC	140W	STRAIGHT	MFGF NYLON
810028HP	PUSHER	12VDC	140W	STRAIGHT	MFGF NYLON

\*ALSO AVAILABLE IN 24VDC

**REVERSIBLE**

**WATER & DUST RESISTANT**



TYPICAL AIR PERFORMANCE @ 13.5VDC 9" 140W STRAIGHT BLADE PULLER/PUSHER FANS				
STATIC PRESSURE IN H <sub>2</sub> O	STATIC PRESSURE mm H <sub>2</sub> O	CFM	m <sup>3</sup> /h	Amps
0	0.0	511	868	4.3
0.1	2.5	434	737	4.1
0.2	5	340	578	4.0
0.3	7.5	278	472	4.1
0.4	10	184	313	4.2
0.5	12.5	94	160	4.3

STALL @ 0.63" [16mm] - 4.3 Amps

