

12VDC AXIAL MOTOR FANS

FAN DIAMETER
8" [190mm]

MODEL INFORMATION					
PART#	TYPE*	VOLTS	WATTS	BLADE	MATERIAL
TA08R2001	REVERSIBLE	12VDC	130W	"S"	GF NYLON
TB08R2001	REVERSIBLE	24VDC	130W	"S"	GF NYLON

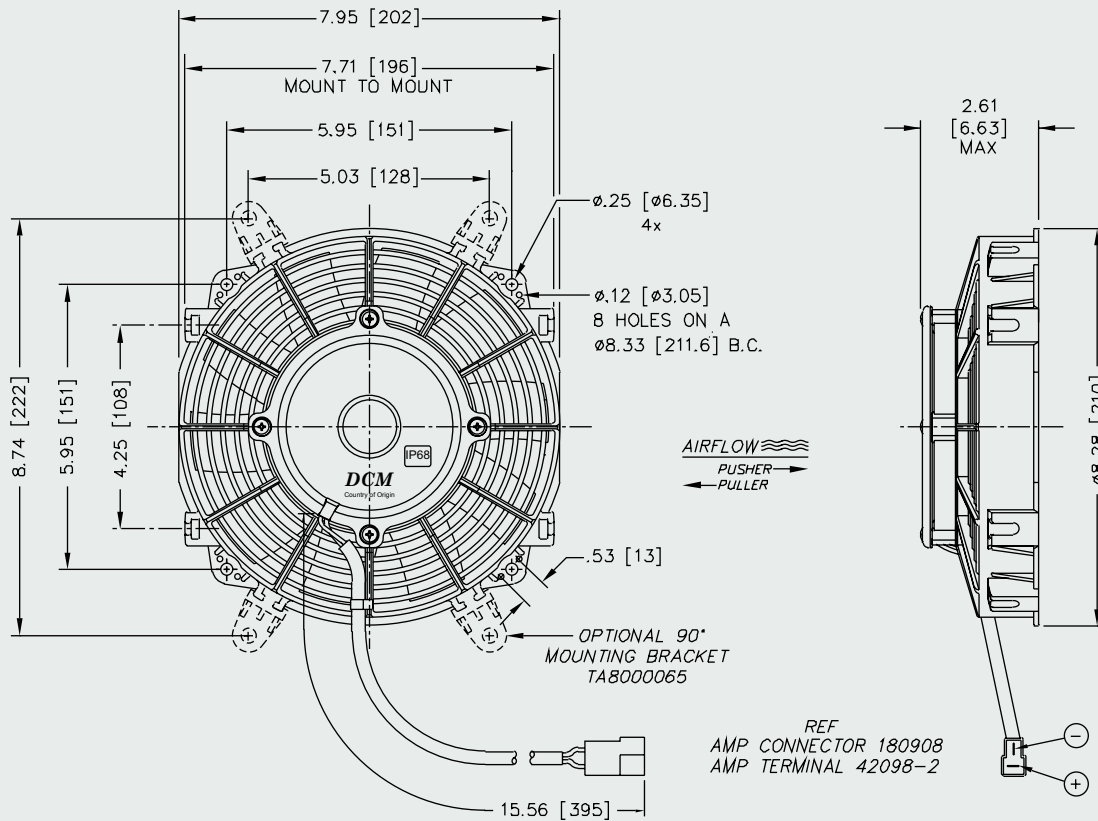
*SET UP AS PULLER FROM FACTORY



REVERSIBLE

IP68

8" LOW PROFILE



TYPICAL AIR PERFORMANCE @ 13.5VDC 8" 130W "S" BLADE REVERSIBLE FANS				
STATIC PRESSURE IN H ₂ O	STATIC PRESSURE mm H ₂ O	CFM	m ³ /h	Amps
0	0.0	370	629	5.1
0.1	2.5	348	591	5.1
0.2	5	318	540	5.1
0.3	7.5	278	472	5.1
0.4	10	264	449	5.1
0.5	12.5	221	375	5.0
0.6	15	172	292	4.9
0.7	17.5	144	245	5.1
0.8	20	117	199	5.2
0.9	22.5	79	134	5.3

STALL @ 1.1" [27.9mm] - 6.4 Amps

