

12VDC AXIAL MOTOR FANS

FAN DIAMETER
8" [190mm]

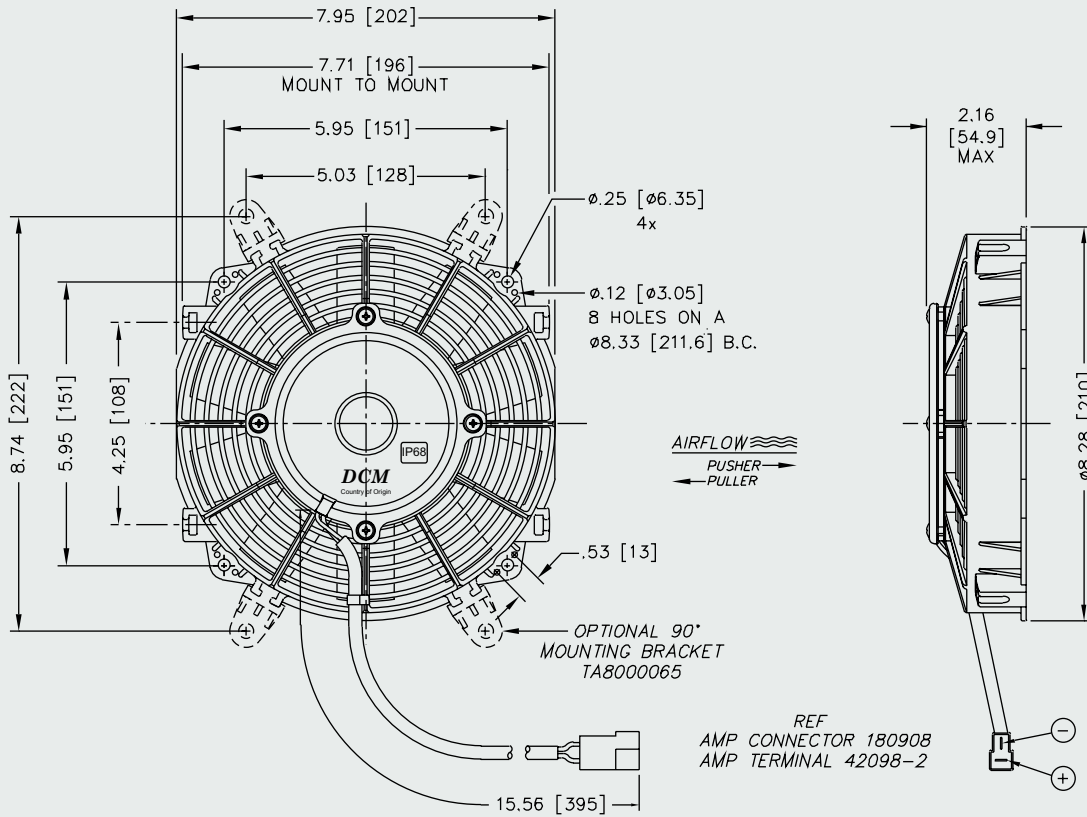
MODEL INFORMATION

PART#	TYPE	VOLTS	WATTS	BLADE	MATERIAL
TA08A1001	PULLER	12VDC	130W	STRAIGHT	GF NYLON
TA08S1001	PUSHER	12VDC	130W	STRAIGHT	GF NYLON
TB08A1001	PULLER	24VDC	130W	STRAIGHT	GF NYLON
TB08S1001	PUSHER	24VDC	130W	STRAIGHT	GF NYLON



IP68

8" LOW PROFILE



TYPICAL AIR PERFORMANCE @ 13.5VDC 8" 130W STRAIGHT BLADE PULLER/PUSHER FANS

STATIC PRESSURE IN H ₂ O	STATIC PRESSURE mm H ₂ O	CFM	m ³ /h	Amps
0	0.0	370	629	5.1
0.1	2.5	348	591	5.1
0.2	5	319	542	5.1
0.3	7.5	278	472	5.1
0.4	10	265	450	5.1
0.5	12.5	221	375	5.0
0.6	15	172	292	4.9
0.7	17.5	144	245	5.1
0.8	20	117	199	5.2
0.9	22.5	79	134	5.3

STALL @ 1.0" [25.4mm] - 5.6 Amps

