

**FAN DIAMETER
8" [190mm]**

12VDC AXIAL MOTOR FANS

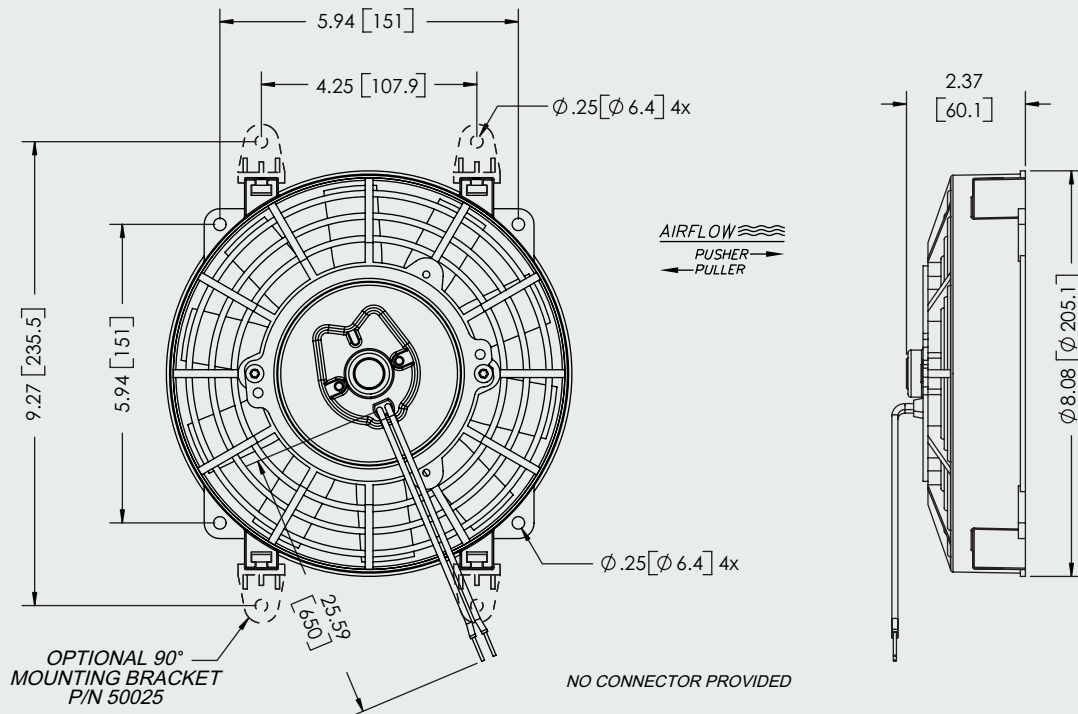


MODEL INFORMATION*

| PART# | TYPE | VOLTS | WATTS | BLADE | MATERIAL |
|-----------|--------|-------|-------|----------|------------|
| 890026-90 | PULLER | 12VDC | 90W | STRAIGHT | MFGF NYLON |
| 890028-90 | PUSHER | 12VDC | 90W | STRAIGHT | MFGF NYLON |

*ALSO AVAILABLE IN 24VDC

REVERSIBLE



TYPICAL AIR PERFORMANCE @ 13.5VDC 8" 90W STRAIGHT BLADE PULLER/PUSHER FANS

| STATIC PRESSURE IN H ₂ O | STATIC PRESSURE mm H ₂ O | CFM | m ³ /h | Amps |
|-------------------------------------|-------------------------------------|-----|-------------------|------|
| 0 | 0.0 | 391 | 664 | 5.1 |
| 0.1 | 2.5 | 356 | 605 | 5.0 |
| 0.2 | 5 | 300 | 510 | 4.8 |
| 0.3 | 7.5 | 240 | 408 | 4.7 |
| 0.4 | 10 | 198 | 336 | 4.9 |
| 0.5 | 12.5 | 169 | 287 | 5.2 |
| 0.6 | 15 | 132 | 224 | 5.3 |
| 0.7 | 17.5 | 92 | 156 | 5.4 |
| 0.8 | 20 | 51 | 87 | 5.4 |

STALL @ 0.94" [23.9mm] – 5.4 Amps

