

12VDC AXIAL MOTOR FANS

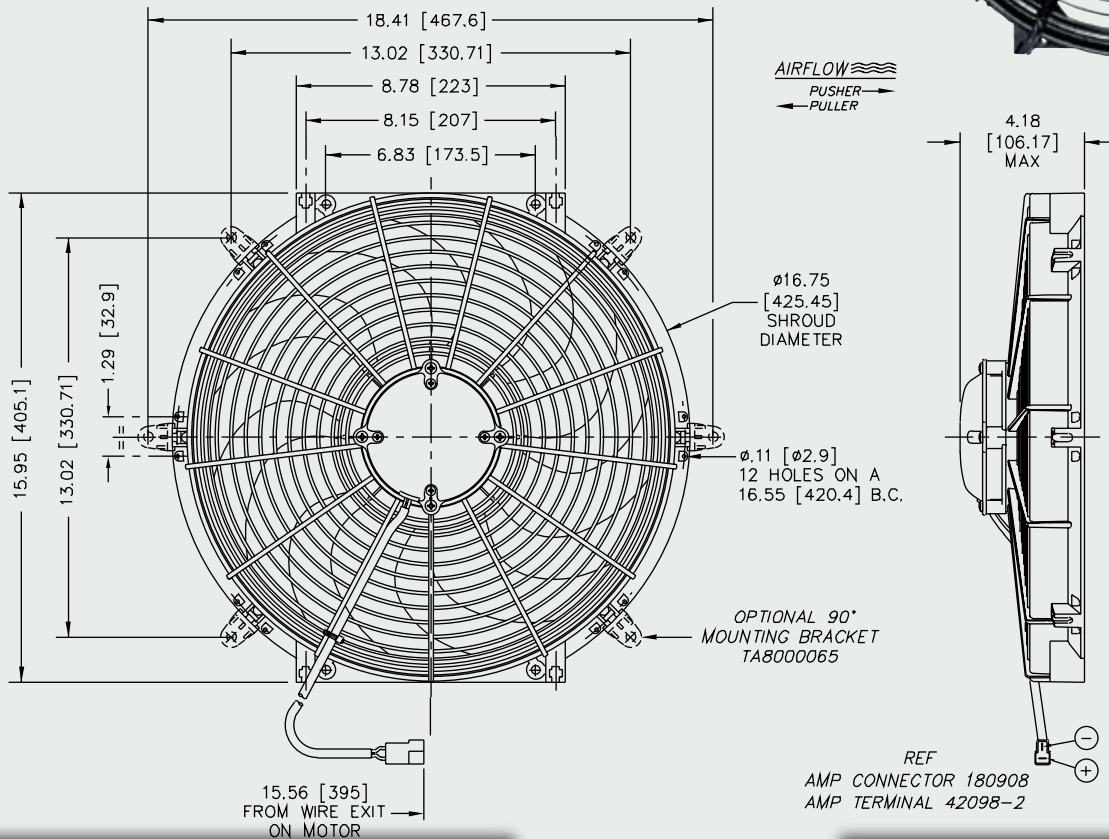
FAN DIAMETER
16" [385mm]

MODEL INFORMATION*

PART#	TYPE**	VOLTS	WATTS	BLADE	MATERIAL
TA16R6002	REVERSIBLE	12VDC	160W	"S"	GF NYLON
*ALSO AVAILABLE IN 24VDC		**SET UP AS PULLER FROM FACTORY			



REVERSIBLE

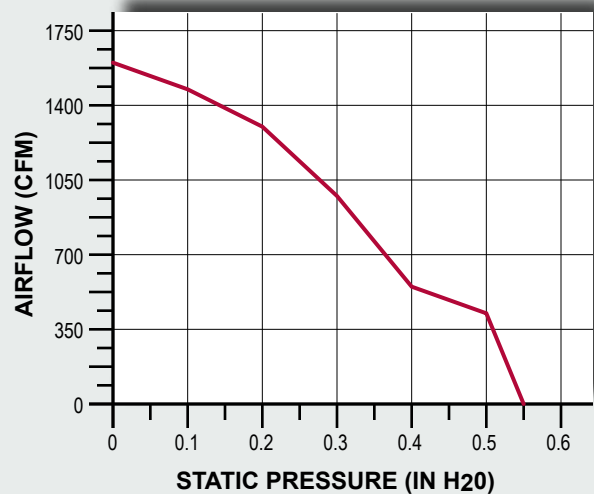


TYPICAL AIR PERFORMANCE @ 13.5VDC

16" 160W "S" BLADE REVERSIBLE FAN

STATIC PRESSURE IN H ₂ O	STATIC PRESSURE mm H ₂ O	CFM	m ³ /h	Amps
0	0.0	1607	2703	12.6
0.1	2.5	1472	2501	12.8
0.2	5	1303	2214	13.1
0.3	7.5	973	1653	12.6
0.4	10	549	933	12.3
0.5	12.5	427	725	12.4

STALL @ 0.55" [14mm] - 13.2 Amps



16" MED PROFILE