

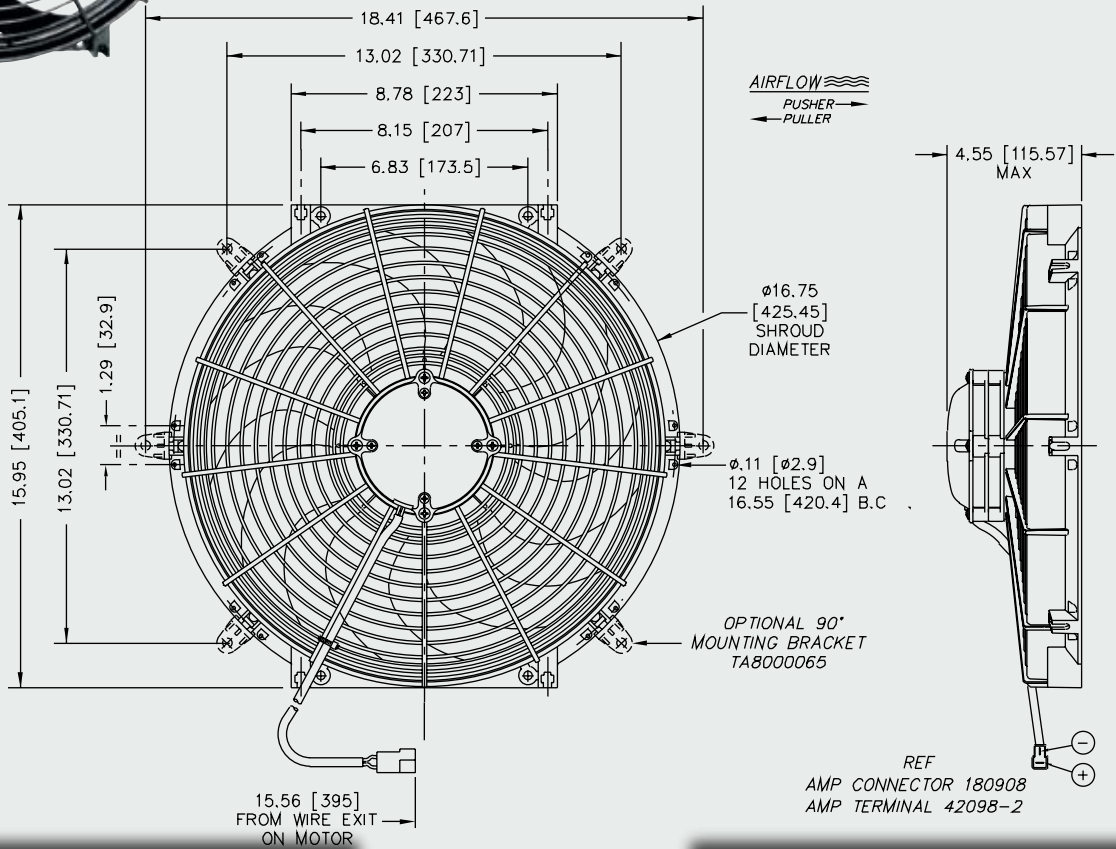
**FAN DIAMETER
16" [385mm]**

12VDC AXIAL MOTOR FANS

MODEL INFORMATION*

PART#	TYPE**	VOLTS	WATTS	BLADE	MATERIAL
TA16R6001	REVERSIBLE	12VDC	225W	"S"	GF NYLON
		*ALSO AVAILABLE IN 24VDC		**SET UP AS PULLER FROM FACTORY	

REVERSIBLE



TYPICAL AIR PERFORMANCE @ 13.5VDC 16" 225W "S" BLADE REVERSIBLE FAN

STATIC PRESSURE IN H ₂ O	STATIC PRESSURE mm H ₂ O	CFM	m ³ /h	Amps
0	0.0	1979	3362	17.7
0.1	2.5	1843	3131	18.1
0.2	5	1729	2938	18.0
0.3	7.5	1576	2678	18.3
0.4	10	1360	2311	18.1
0.5	12.5	841	1429	17.2
0.6	15	826	1403	17.1
0.7	17.5	410	697	17.7
0.8	20	155	263	17.9

STALL @ 0.83" [21.1mm] – 18.6 Amps

