

12VDC AXIAL MOTOR FANS

FAN DIAMETER
13" [330mm]

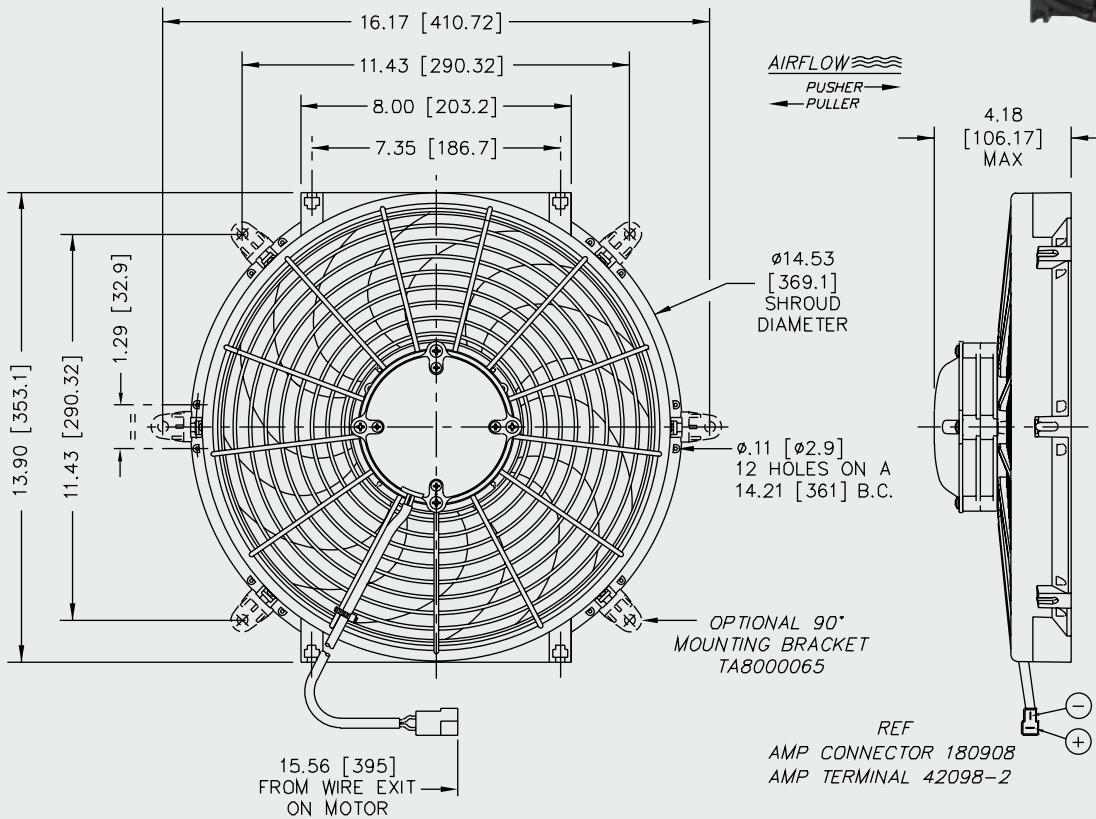
13" LOW PROFILE

MODEL INFORMATION*

PART#	TYPE**	VOLTS	WATTS	BLADE	MATERIAL
TA13R6001	REVERSIBLE	12VDC	160W	"S"	GF NYLON
*ALSO AVAILABLE IN 24VDC		**SET UP AS PULLER FROM FACTORY			



REVERSIBLE



TYPICAL AIR PERFORMANCE @ 13.5VDC 13" 160W "S" BLADE REVERSIBLE FAN

STATIC PRESSURE IN H ₂ O	STATIC PRESSURE mm H ₂ O	CFM	m ³ /h	Amps
0	0.0	1261	2142	9.5
0.1	2.5	1156	1964	9.8
0.2	5	1011	1718	9.9
0.3	7.5	622	1057	9.0
0.4	10	446	758	9.1
0.5	12.5	216	367	9.1

STALL @ 0.62" [15.7mm] - 9.6 Amps

