

**FAN DIAMETER  
13" [330mm]**

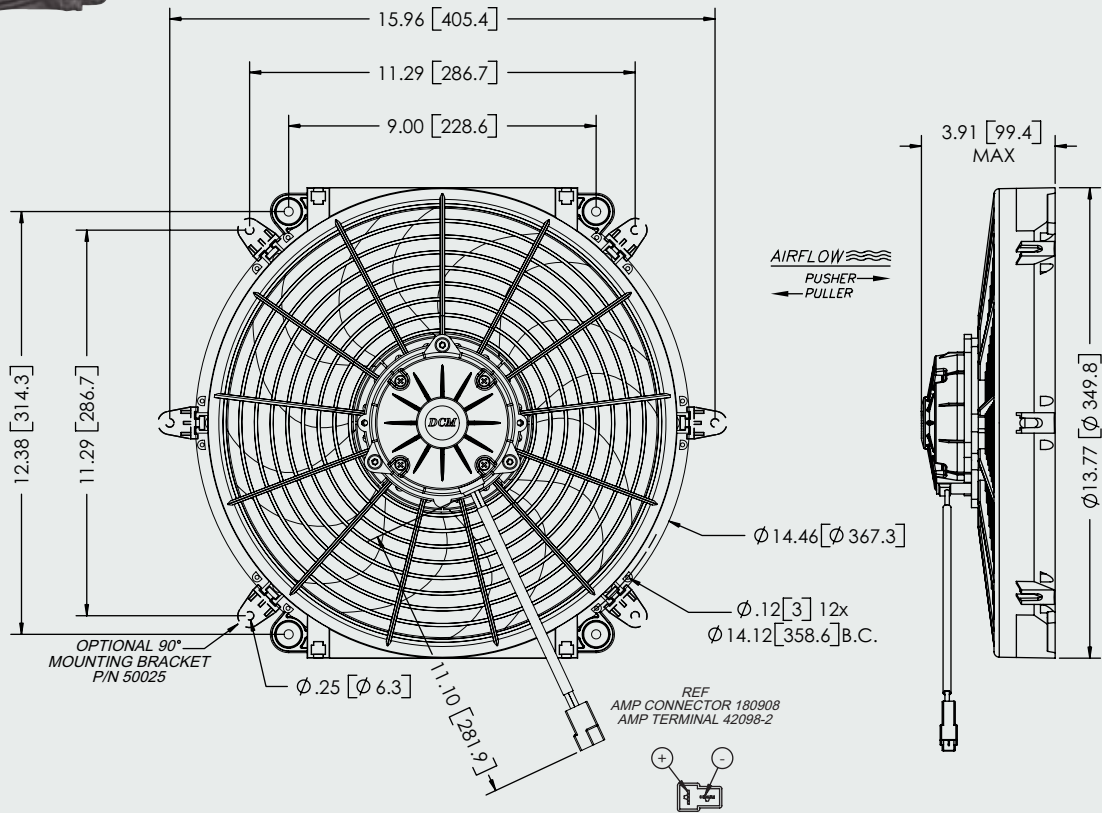
# 12VDC AXIAL MOTOR FANS



MODEL INFORMATION*					
PART#	TYPE	VOLTS	WATTS	BLADE	MATERIAL
G-4014-A	PULLER	12VDC	160W	"S"	MFGF NYLON
G-4014-S	PUSHER	12VDC	160W	"S"	MFGF NYLON

\*ALSO AVAILABLE IN 24VDC

**REVERSIBLE**



TYPICAL AIR PERFORMANCE @ 13.5VDC 13" 160W "S" BLADE PULLER FAN				
STATIC PRESSURE IN H <sub>2</sub> O	STATIC PRESSURE mm H <sub>2</sub> O	CFM	m <sup>3</sup> /h	Amps
0	0.0	1356	2304	9.4
0.1	2.5	1232	2093	9.8
0.2	5	1067	1813	9.8
0.3	7.5	558	948	9.1
0.4	10	453	770	9.7
0.5	12.5	246	418	9.7

STALL @ 0.62" [15.7mm] – 10.3 Amps

