

12VDC AXIAL MOTOR FANS

FAN DIAMETER
13" [330mm]

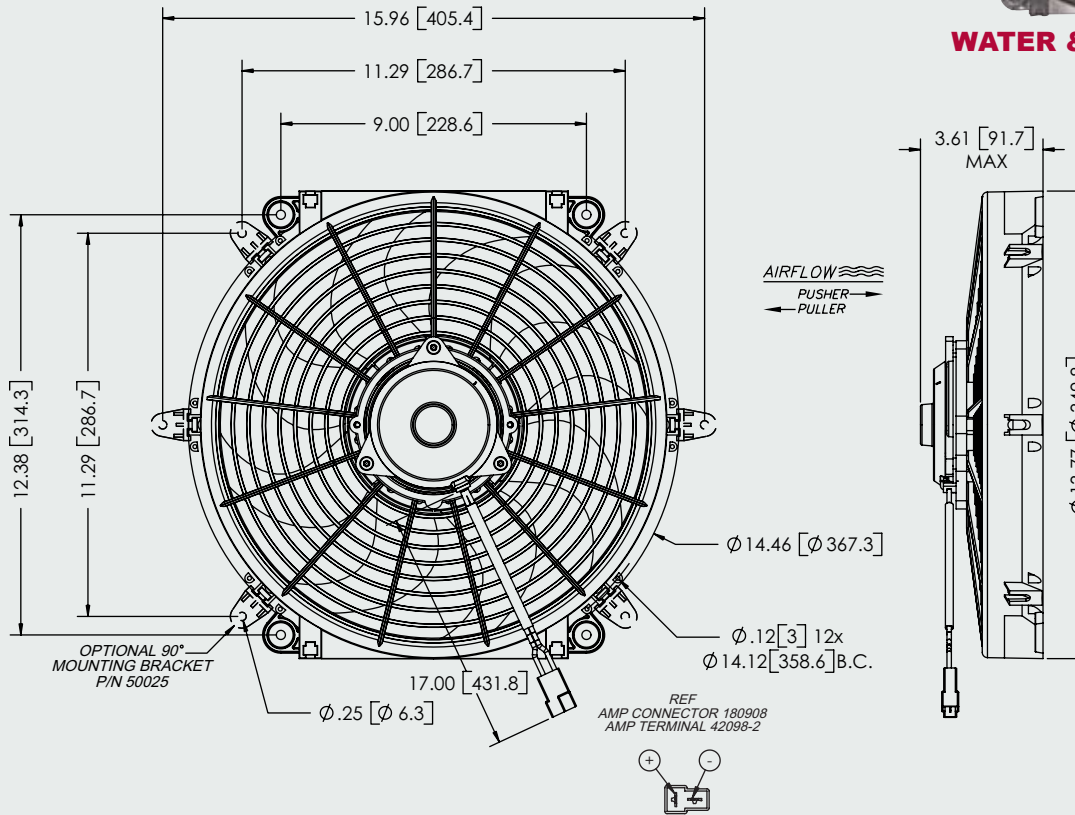
13" LOW PROFILE

MODEL INFORMATION

PART#	TYPE	VOLTS	WATTS	BLADE	MATERIAL
G-4014-A-24V	PULLER	24VDC	160W	"S"	MFGF NYLON
G-4014-S-24V	PUSHER	24VDC	160W	"S"	MFGF NYLON



WATER & DUST RESISTANT



TYPICAL AIR PERFORMANCE @ 13.5VDC 13" 160W "S" BLADE PULLER/PUSHER FANS

STATIC PRESSURE IN H ₂ O	STATIC PRESSURE mm H ₂ O	CFM	m ³ /h	Amps
0	0.0	1425	2421	5.4
0.1	2.5	1306	2219	5.5
0.2	5	1176	1998	5.6
0.3	7.5	762	1295	5.2
0.4	10	587	997	5.2
0.5	12.5	411	698	5.3
0.6	15	261	443	5.3
0.7	17.5	181	308	5.5

STALL @ 0.78" [19.8mm] - 5.8 Amps

