

**FAN DIAMETER  
12" [305mm]**

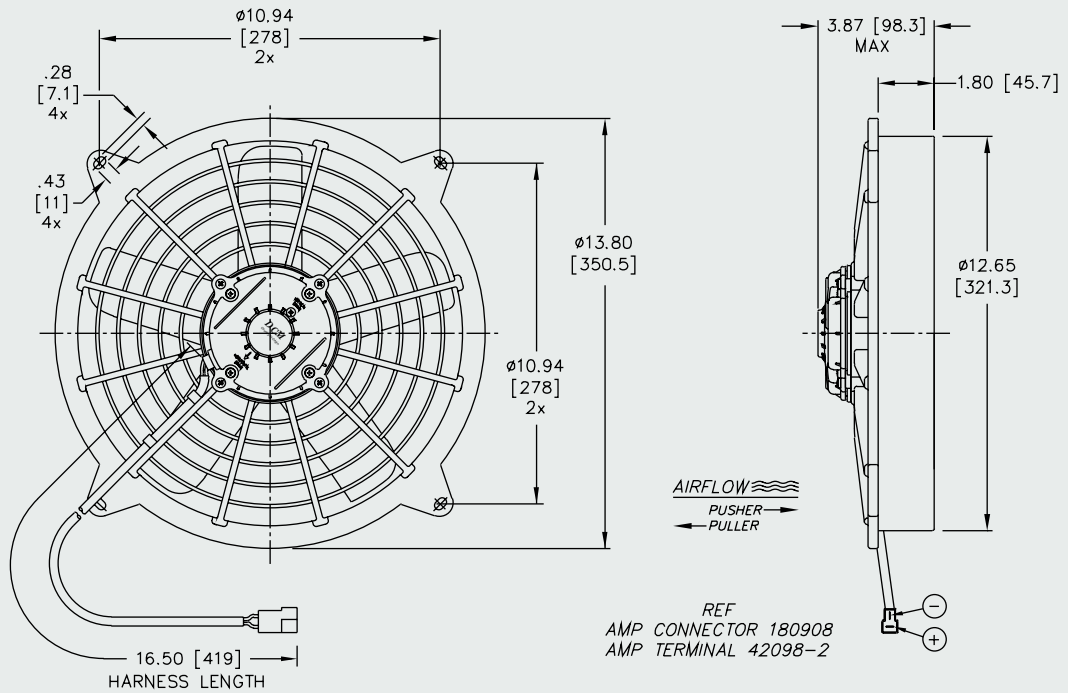
# 12VDC AXIAL MOTOR FANS



### MODEL INFORMATION\*

PART#	TYPE	VOLTS	WATTS	BLADE	MATERIAL
TA12A3006	PULLER	12VDC	225W	STRAIGHT	GF NYLON
TA12S3006	PUSHER	12VDC	225W	STRAIGHT	GF NYLON

\*ALSO AVAILABLE IN 24VDC



### TYPICAL AIR PERFORMANCE @ 13.5VDC 12" 225W STR BLADE PULLER/PUSHER FANS

STATIC PRESSURE IN H <sub>2</sub> O	STATIC PRESSURE mm H <sub>2</sub> O	CFM	m <sup>3</sup> /h	Amps
0	0.0	1371	2329	10.0
0.1	2.5	1317	2238	10.4
0.2	5	1201	2040	10.8
0.3	7.5	1010	1716	11.7
0.4	10	804	1366	11.6
0.5	12.5	585	994	11.9
0.6	15	504	856	12.6
0.7	17.5	406	690	12.9
0.8	20	325	552	13.3

STALL @ 1.2" [30.5mm] - 16.1 Amps

