

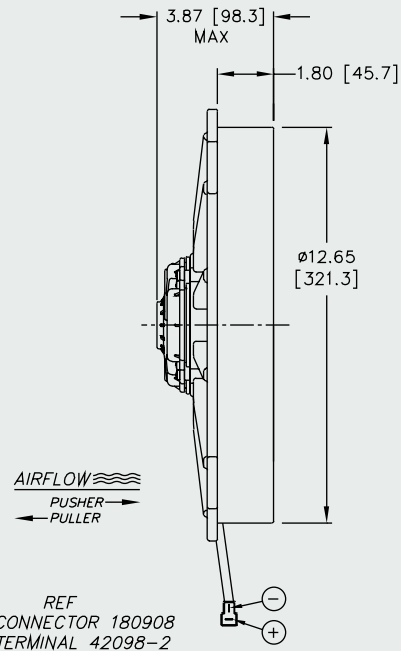
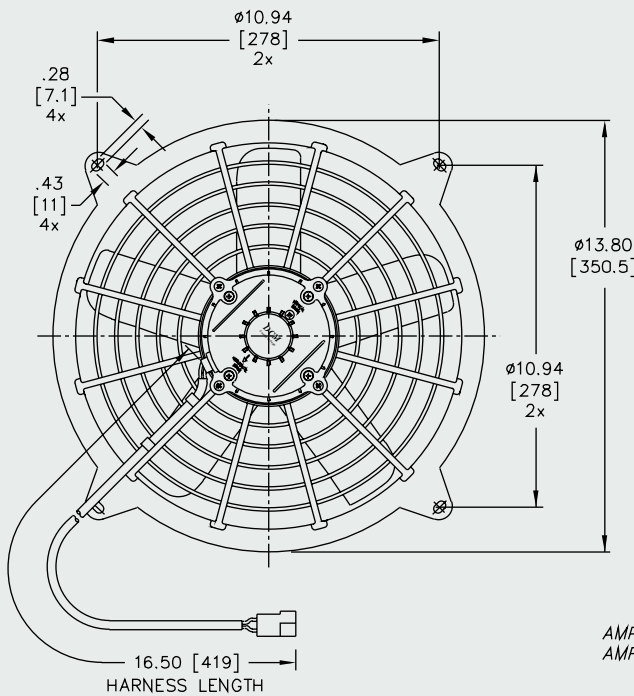
12VDC AXIAL MOTOR FANS

FAN DIAMETER
12" [305mm]

MODEL INFORMATION*

PART#	TYPE	VOLTS	WATTS	BLADE	MATERIAL
TA12A3005	PULLER	12VDC	225W	STRAIGHT	GF NYLON
TA12S3007	PUSHER	12VDC	225W	STRAIGHT	GF NYLON

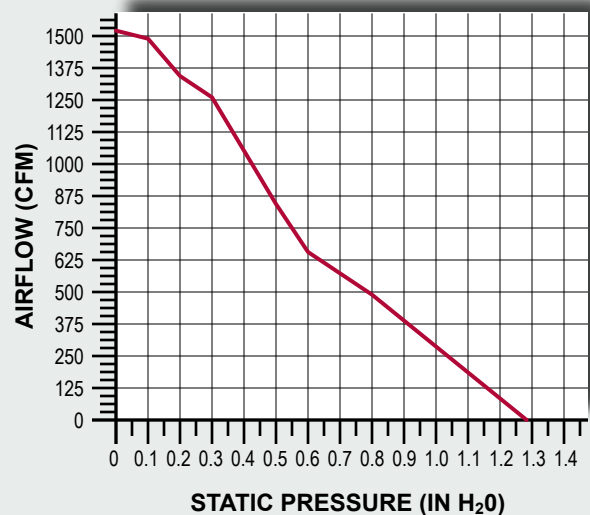
*ALSO AVAILABLE IN 24VDC



TYPICAL AIR PERFORMANCE @ 13.5VDC 12" 225W STRAIGHT BLADE PULLER/PUSHER FANS

STATIC PRESSURE IN H ₂ O	STATIC PRESSURE mm H ₂ O	CFM	m ³ /h	Amps
0	0.0	1524	2589	14.1
0.1	2.5	1494	2538	14.0
0.2	5	1338	2273	14.9
0.3	7.5	1259	2139	15.8
0.4	10	1051	1786	16.4
0.5	12.5	844	1434	16.4
0.6	15	652	1108	17.1
0.7	17.5	575	977	18.0
0.8	20	491	834	18.4

STALL @ 1.28" [32.5mm] – 21.7 Amps



12" HIGH PROFILE