

**FAN DIAMETER  
12" [305mm]**

# 12VDC AXIAL MOTOR FANS

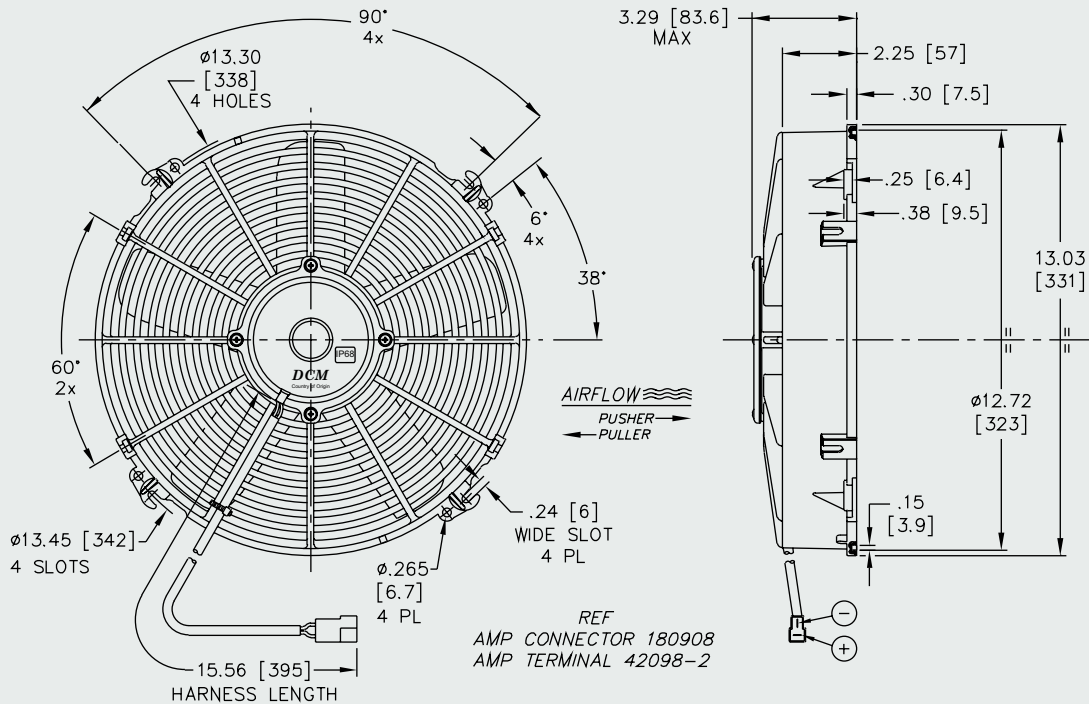


**IP68**

## MODEL INFORMATION\*

PART#	TYPE	VOLTS	WATTS	BLADE	MATERIAL
TA12A3004	PULLER	12VDC	225W	STRAIGHT	GF NYLON
TA12S3004	PUSHER	12VDC	225W	STRAIGHT	GF NYLON

\*ALSO AVAILABLE IN 24VDC



## TYPICAL AIR PERFORMANCE @ 13.5VDC 12" 225W STRAIGHT BLADE PULLER/PUSHER FANS

STATIC PRESSURE IN H <sub>2</sub> O	STATIC PRESSURE mm H <sub>2</sub> O	CFM	m <sup>3</sup> /h	Amps
0	0.0	1577	2680	17.6
0.1	2.5	1512	2569	18.1
0.2	5	1442	2450	18.7
0.3	7.5	1371	2329	18.9
0.4	10	1289	2190	19.1
0.5	12.5	1171	1990	19.2
0.6	15	1051	1786	19.2
0.7	17.5	796	1352	19.5
0.8	20	683	1160	20.2
1.0	25	552	938	21.1
1.2	30	388	659	21.5

STALL @ 1.7" [43.2mm] - 22.5 Amps

