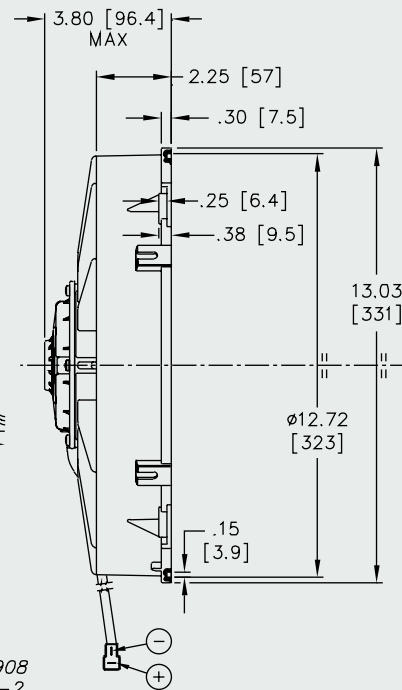
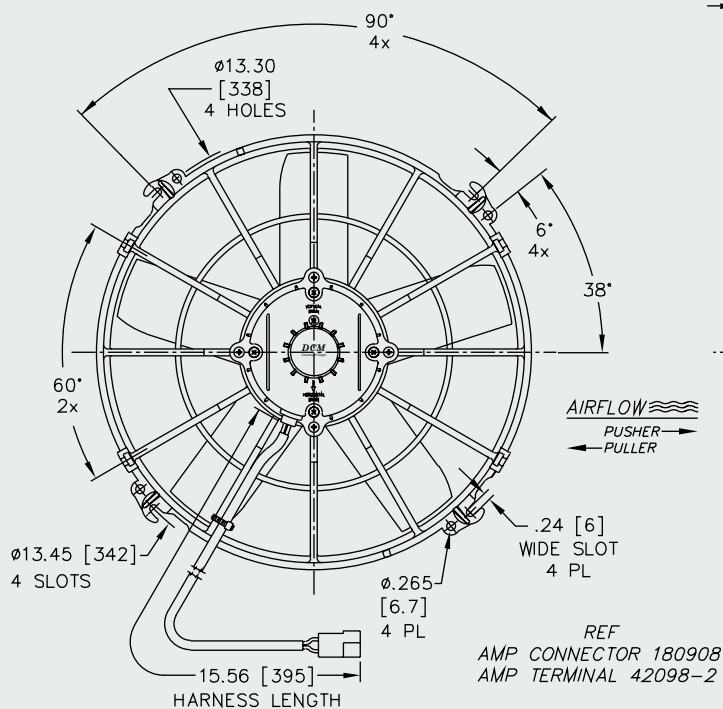


# 12VDC AXIAL MOTOR FANS

FAN DIAMETER  
12" [305mm]

## MODEL INFORMATION

PART#	TYPE	VOLTS	WATTS	BLADE	MATERIAL
TA12A3001	PULLER	12VDC	225W	STRAIGHT	GF NYLON
TA12S3001	PUSHER	12VDC	225W	STRAIGHT	GF NYLON
TB12A3001	PULLER	24VDC	225W	STRAIGHT	GF NYLON
TB12S3001	PUSHER	24VDC	225W	STRAIGHT	GF NYLON



## TYPICAL AIR PERFORMANCE @ 13.5VDC 12" 225W STRAIGHT BLADE PULLER/PUSHER FANS

STATIC PRESSURE IN H <sub>2</sub> O	STATIC PRESSURE mm H <sub>2</sub> O	CFM	m <sup>3</sup> /h	Amps
0	0.0	1722	2926	15.0
0.1	2.5	1646	2797	15.6
0.2	5	1570	2667	15.8
0.3	7.5	1480	2515	16.8
0.4	10	1386	2355	17.2
0.5	12.5	1306	2219	17.4
0.6	15	1188	2018	17.8
0.8	20	681	1157	17.5
1.0	25	525	892	18.0
1.2	30	328	557	18.9
1.4	35	141	240	19.7

STALL @ 1.64" [41.7mm]



12" HIGH PROFILE