

**FAN DIAMETER
12" [305mm]**

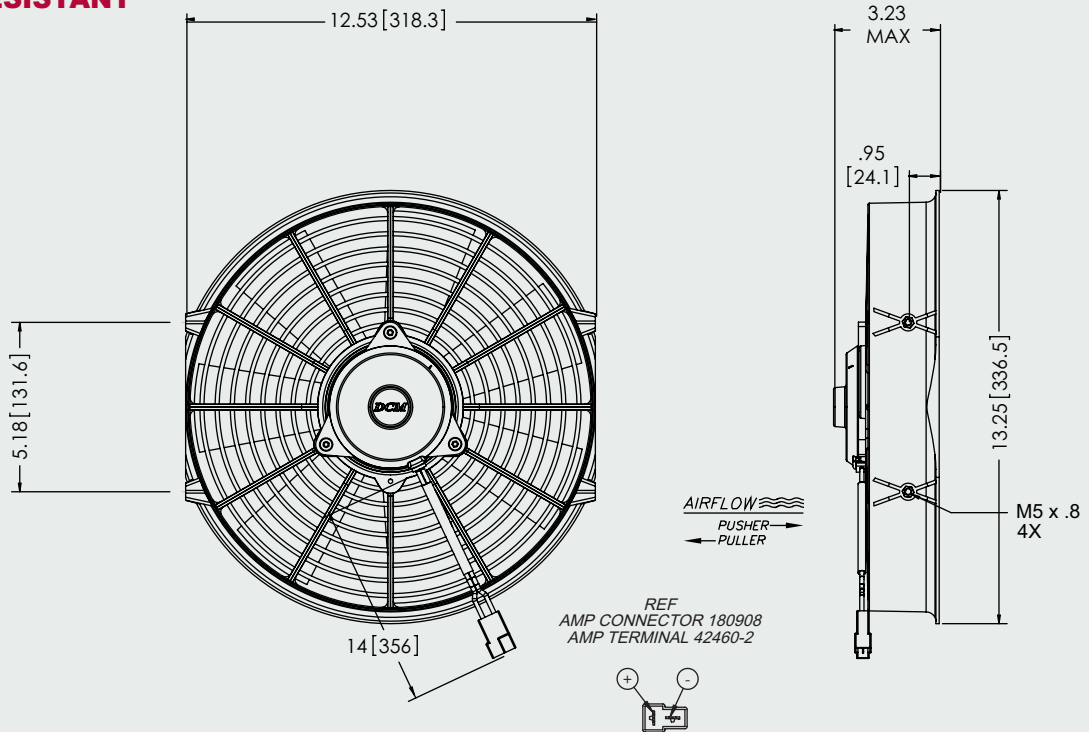
12VDC AXIAL MOTOR FANS



MODEL INFORMATION*					
PART#	TYPE	VOLTS	WATTS	BLADE	MATERIAL
470027	PULLER	12VDC	160W	STRAIGHT	MFGF NYLON
480027	PUSHER	12VDC	160W	STRAIGHT	MFGF NYLON

*ALSO AVAILABLE IN 24VDC

WATER & DUST RESISTANT



TYPICAL AIR PERFORMANCE @ 13.5VDC 12" 160W STRAIGHT BLADE PULLER/PUSHER FANS				
STATIC PRESSURE IN H ₂ O	STATIC PRESSURE mm H ₂ O	CFM	m ³ /h	Amps
0	0.0	1329	2258	11.4
0.1	2.5	1226	2083	11.7
0.2	5	1082	1838	11.8
0.3	7.5	786	1335	11.1
0.4	10	540	917	11.3
0.5	12.5	400	680	11.7
0.6	15	256	435	12.1
0.7	17.5	37	63	12.9

STALL @ 0.74" [18.8mm] – 13.1 Amps

