

12VDC AXIAL MOTOR FANS

FAN DIAMETER
12" [305mm]

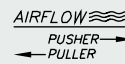
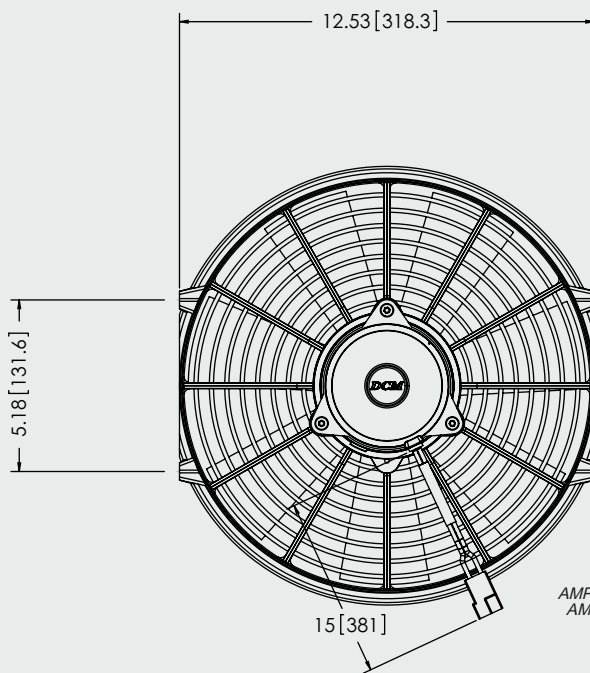
MODEL INFORMATION*

PART#	TYPE	VOLTS	WATTS	BLADE	MATERIAL
470027HD	PULLER	12VDC	225W	STRAIGHT	MFGF NYLON
480027HD	PUSHER	12VDC	225W	STRAIGHT	MFGF NYLON

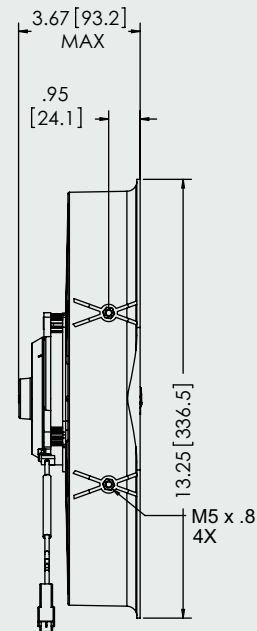
*ALSO AVAILABLE IN 24VDC



WATER & DUST RESISTANT



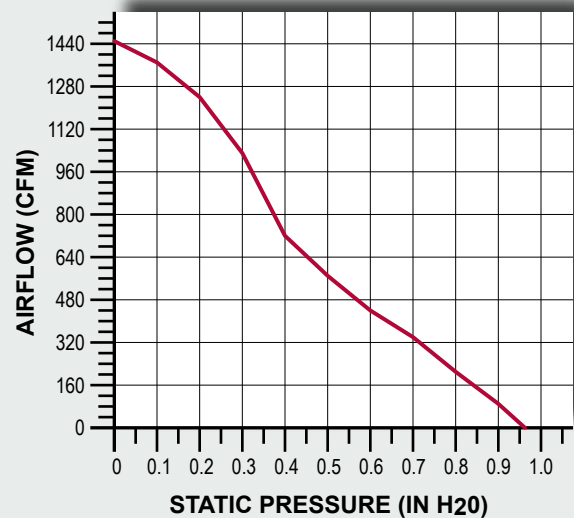
REF
AMP CONNECTOR 180908
AMP TERMINAL 42460-2



TYPICAL AIR PERFORMANCE @ 13.5VDC 12" 225W STRAIGHT BLADE REVERSIBLE FANS

STATIC PRESSURE IN H ₂ O	STATIC PRESSURE mm H ₂ O	CFM	m ³ /h	Amps
0	0.0	1452	2467	12.0
0.1	2.5	1368	2324	12.4
0.2	5	1243	2112	12.4
0.3	7.5	1031	1752	12.0
0.4	10	717	1218	11.6
0.5	12.5	568	965	12.0
0.6	15	441	749	12.4
0.7	17.5	340	578	13.0
0.8	20	213	362	13.5
0.9	22.5	89	151	14.5

STALL @ 0.96" [24.4mm] – 15.0 Amps



12" HIGH PROFILE