

12VDC AXIAL MOTOR FANS

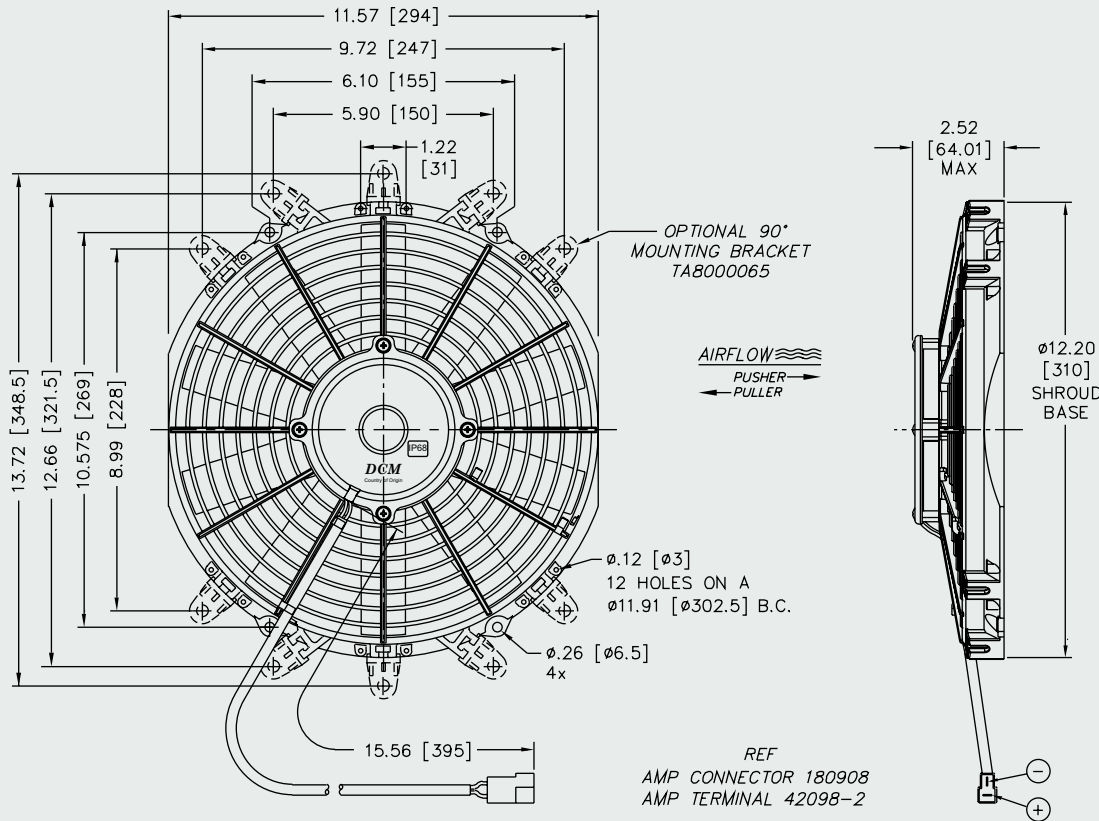
FAN DIAMETER
11" [280mm]

MODEL INFORMATION

PART#	TYPE	VOLTS	WATTS	BLADE	MATERIAL
TA11A1004	PULLER	12VDC	160W	STRAIGHT	GF NYLON
TA11S1004	PUSHER	12VDC	160W	STRAIGHT	GF NYLON
TB11A1004	PULLER	24VDC	160W	STRAIGHT	GF NYLON
TB11S1004	PUSHER	24VDC	160W	STRAIGHT	GF NYLON



IP68



1" LOW PROFILE

TYPICAL AIR PERFORMANCE @ 13.5VDC 11" 160W STRAIGHT BLADE PULLER/PUSHER FANS

STATIC PRESSURE IN H ₂ O	STATIC PRESSURE mm H ₂ O	CFM	m ³ /h	Amps
0	0.0	1015	1724	8.1
0.1	2.5	965	1640	8.5
0.2	5	912	1549	8.8
0.3	7.5	824	1400	9.1
0.4	10	736	1250	9.2
0.5	12.5	630	1070	9.1
0.6	15	530	900	9.1
0.8	20	306	520	9.1
1.0	25	118	200	9.2

STALL @ 1.1" [27.9mm]

