

FAN DIAMETER
11" [280mm]

12VDC AXIAL MOTOR FANS

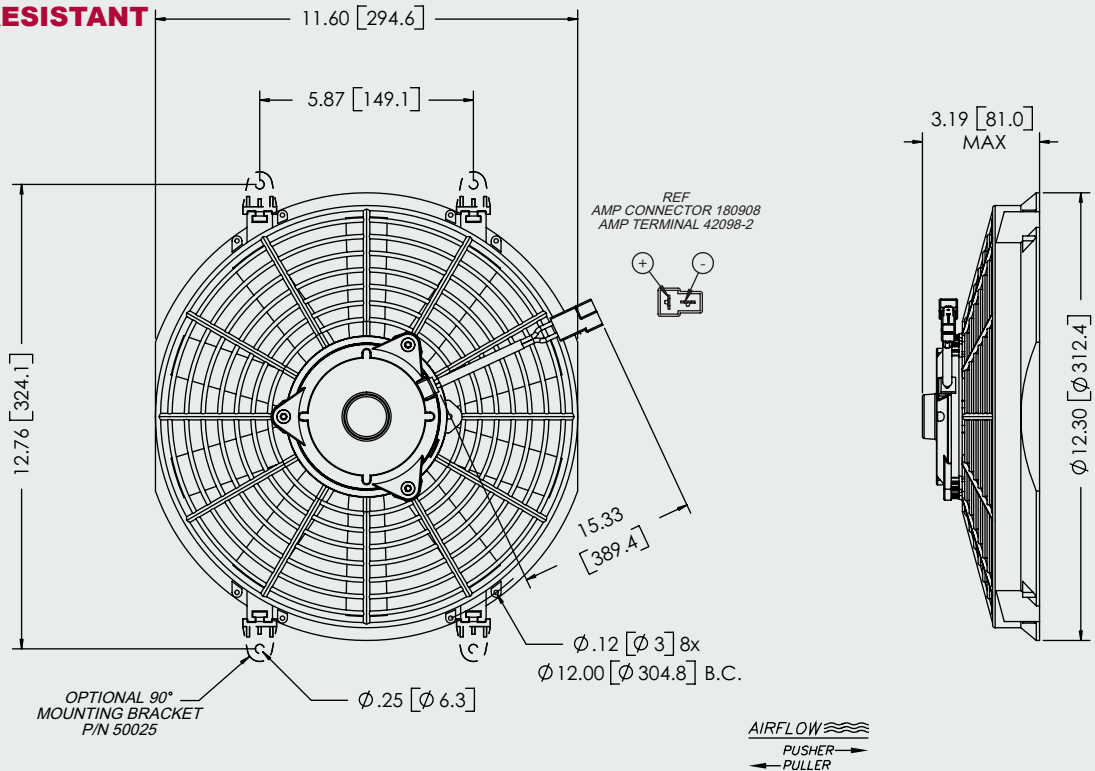


MODEL INFORMATION*					
PART#	TYPE	VOLTS	WATTS	BLADE	MATERIAL
820026	PULLER	12VDC	125W	STRAIGHT	MFGF NYLON
820028	PUSHER	12VDC	125W	STRAIGHT	MFGF NYLON

*ALSO AVAILABLE IN 24VDC

REVERSIBLE

WATER & DUST RESISTANT



TYPICAL AIR PERFORMANCE @ 13.5VDC				
11" 125W STRAIGHT BLADE PULLER/PUSHER FANS				
STATIC PRESSURE IN H ₂ O	STATIC PRESSURE mm H ₂ O	CFM	m ³ /h	Amps
0	0.0	876	1488	8.6
0.1	2.5	787	1337	8.7
0.2	5	670	1138	8.5
0.3	7.5	559	950	8.3
0.4	10	449	763	8.4
0.5	12.5	319	542	8.5
0.6	15	205	348	8.7
0.7	17.5	65	110	8.7

STALL @ 0.74" [18.8mm] – 8.7 Amps

