

FAN DIAMETER  
11" [280mm]

# 12VDC AXIAL MOTOR FANS



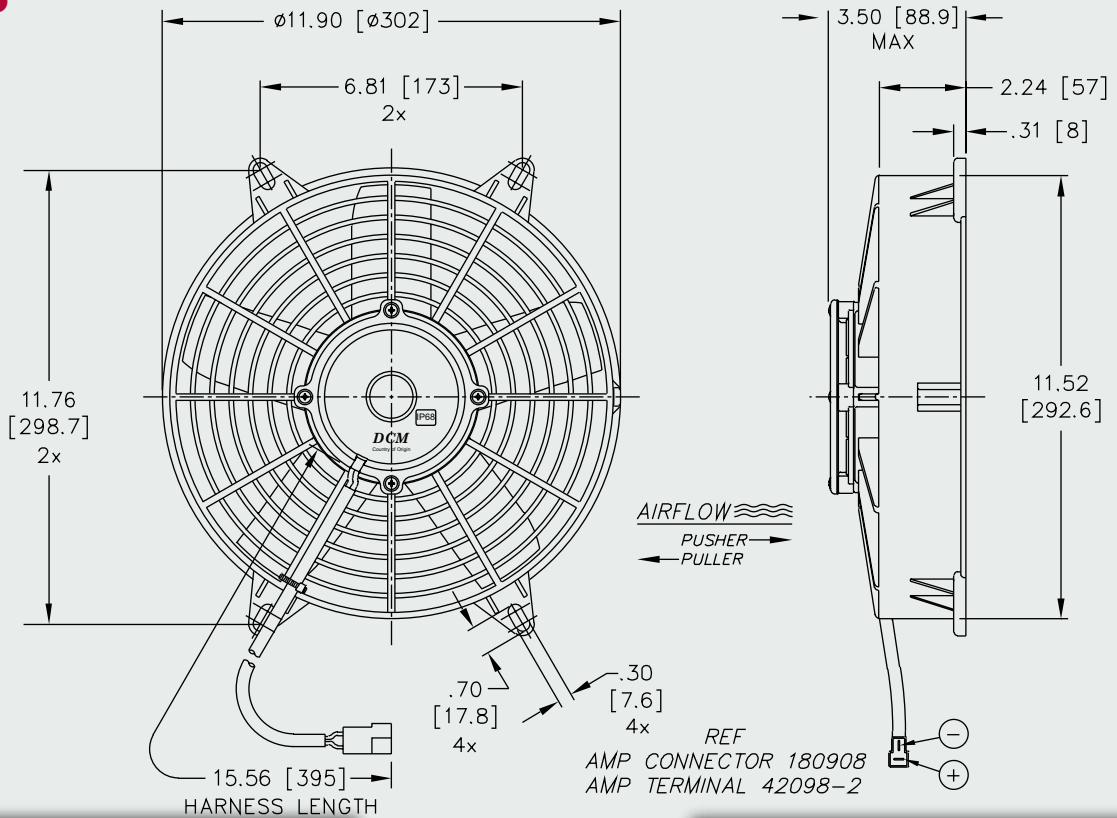
**IP68**

## MODEL INFORMATION

PART#	TYPE*	VOLTS	WATTS	BLADE	MATERIAL
TA11R3003	REVERSIBLE	12VDC	225W	STRAIGHT	GF NYLON
TB11R3003	REVERSIBLE	24VDC	225W	STRAIGHT	GF NYLON

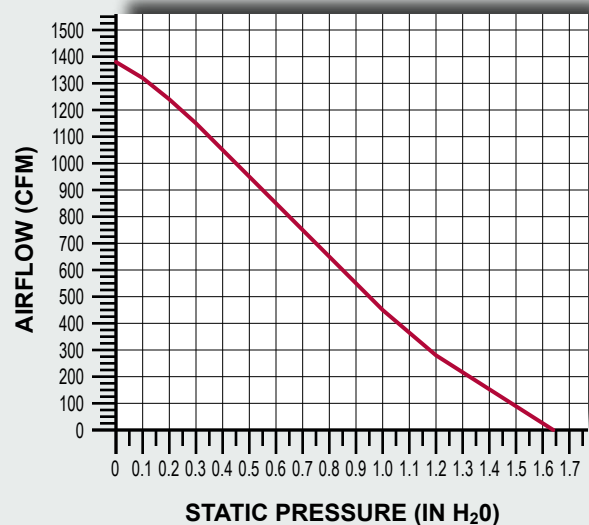
\*SET UP AS PULLER FROM FACTORY

**REVERSIBLE**



## TYPICAL AIR PERFORMANCE @ 13.5VDC 11" 225W STRAIGHT BLADE REVERSIBLE FANS

STATIC PRESSURE IN H <sub>2</sub> O	STATIC PRESSURE mm H <sub>2</sub> O	CFM	m <sup>3</sup> /h	Amps
0	0.0	1383	2350	14.7
0.1	2.5	1322	2246	15.3
0.2	5	1237	2096	15.8
0.3	7.5	1146	1947	16.2
0.4	10	1050	1784	16.5
0.5	12.5	951	1616	16.8
0.6	15	851	1442	16.9
0.7	17.5	749	1273	17.1
0.8	20	648	1101	17.2
1.0	25	454	771	17.6
1.2	30	279	474	18.3



STALL @ 1.64" [41.7mm] – 21.7 Amps