

**FAN DIAMETER  
11" [280mm]**

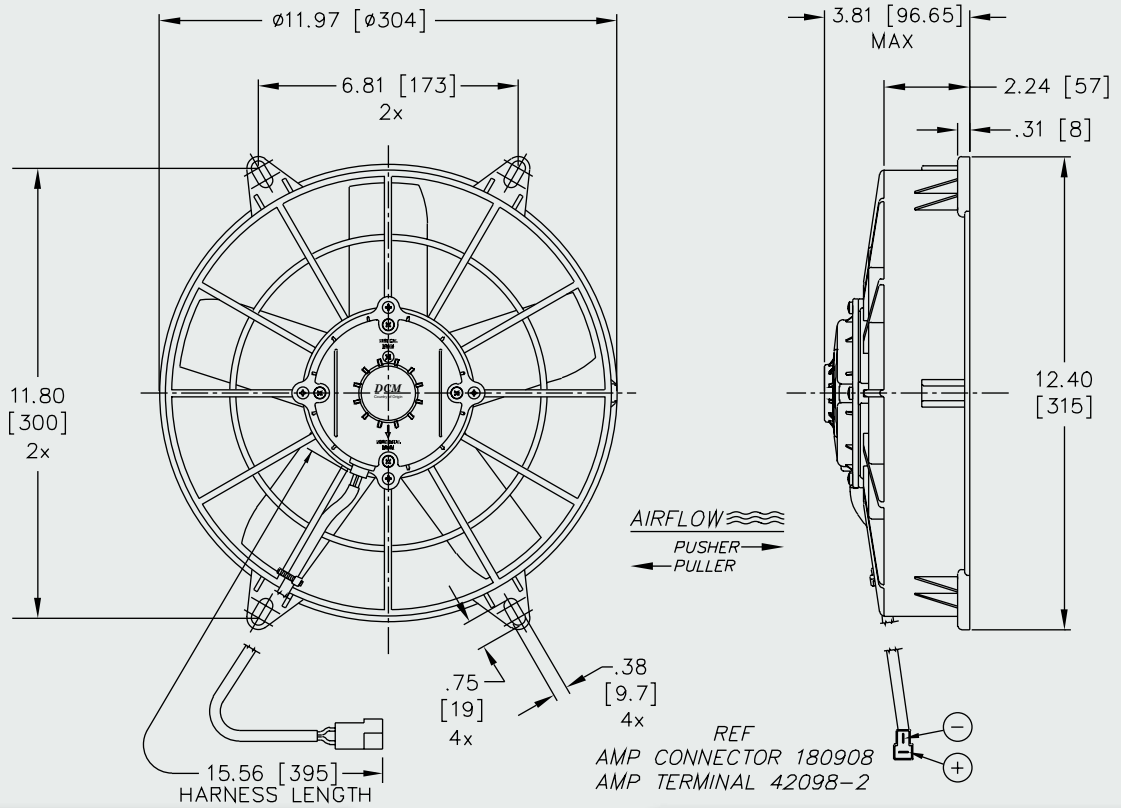
# 12VDC AXIAL MOTOR FANS



### MODEL INFORMATION\*

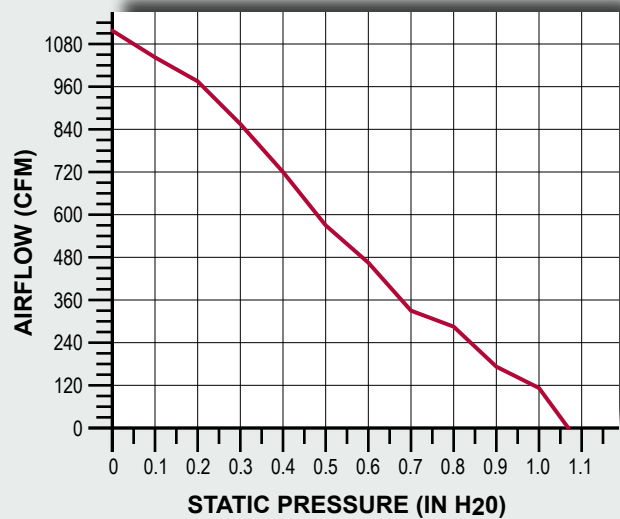
PART#	TYPE	VOLTS	WATTS	BLADE	MATERIAL
TA11A3004	PULLER	12VDC	225W	STRAIGHT	GF NYLON
TA11S3004	PUSHER	12VDC	225W	STRAIGHT	GF NYLON

\*ALSO AVAILABLE IN 24VDC



### TYPICAL AIR PERFORMANCE @ 13.5VDC 11" 225W STRAIGHT BLADE PULLER/PUSHER FANS

STATIC PRESSURE IN H <sub>2</sub> O	STATIC PRESSURE mm H <sub>2</sub> O	CFM	m <sup>3</sup> /h	Amps
0	0.0	1108	1882	8.1
0.1	2.5	1046	1777	8.5
0.2	5	973	1653	9.1
0.3	7.5	853	1449	9.6
0.4	10	722	1227	9.8
0.5	12.5	570	968	9.9
0.6	15	466	792	10.0
0.7	17.5	330	561	10.2
0.8	20	283	481	10.3
0.9	22.5	186	316	10.3
1.0	25	114	194	10.8



STALL @ 1.07" [27.2mm]