

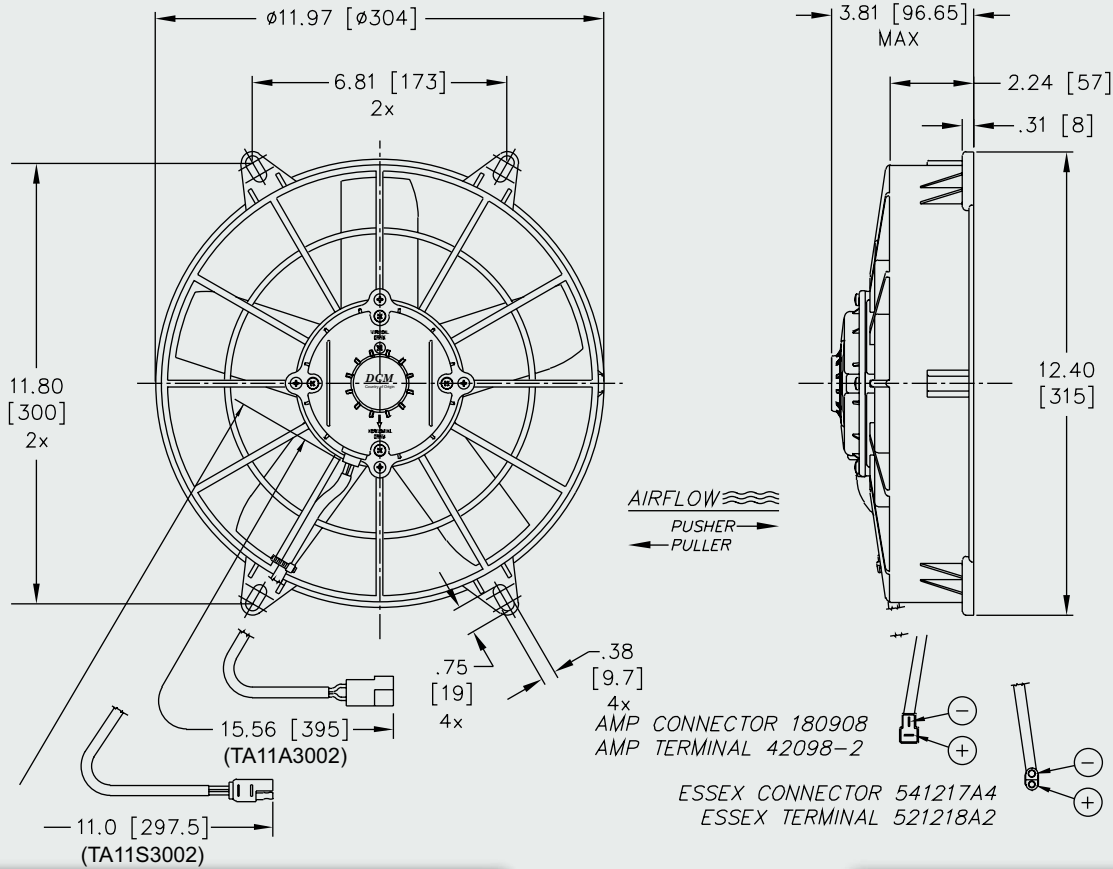
12VDC AXIAL MOTOR FANS

FAN DIAMETER
11" [280mm]

MODEL INFORMATION*

PART#	TYPE	VOLTS	WATTS	BLADE	MATERIAL
TA11A3002	PULLER	12VDC	225W	STRAIGHT	GF NYLON
TA11S3002	PUSHER	12VDC	225W	STRAIGHT	GF NYLON

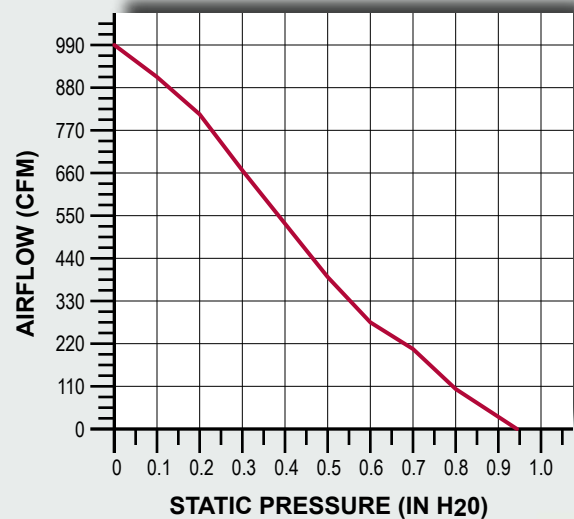
*ALSO AVAILABLE IN 24VDC



TYPICAL AIR PERFORMANCE @ 13.5VDC 11" 225W STRAIGHT BLADE PULLER/PUSHER FANS

STATIC PRESSURE IN H ₂ O	STATIC PRESSURE mm H ₂ O	CFM	m ³ /h	Amps
0	0.0	989	1680	6.3
0.1	2.5	908	1543	6.6
0.2	5	812	1380	6.9
0.3	7.5	669	1137	7.1
0.4	10	530	900	7.2
0.5	12.5	391	664	7.2
0.6	15	275	467	7.3
0.7	17.5	209	355	7.5
0.8	20	96	163	7.8

STALL @ 0.94" [23.9mm]



11" HIGH PROFILE