

12VDC AXIAL MOTOR FANS

FAN DIAMETER
11" [280mm]

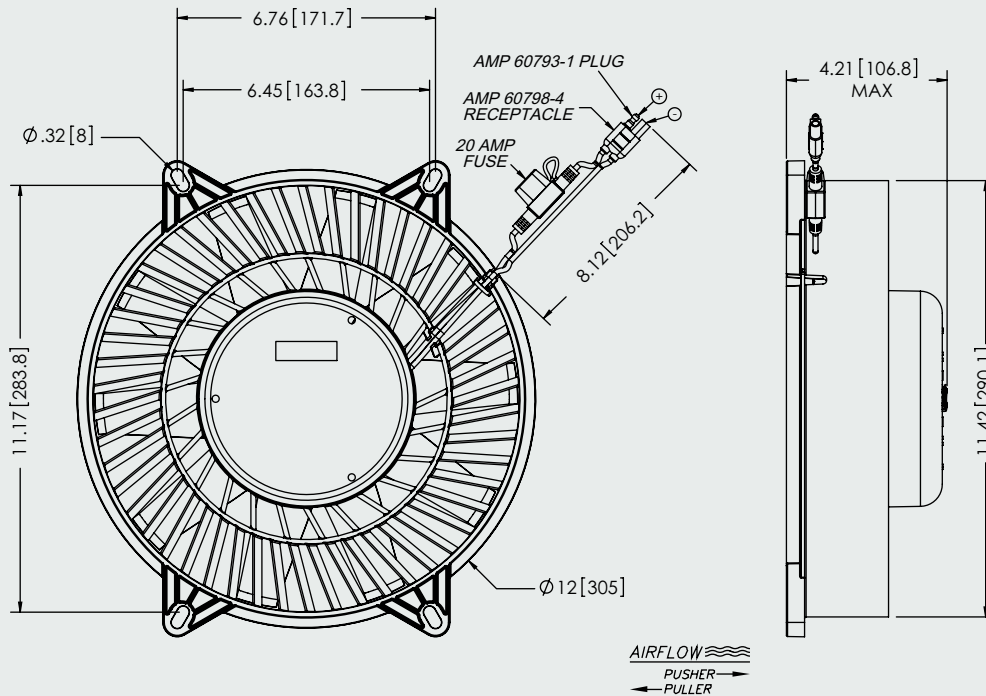
MODEL INFORMATION*

PART#	TYPE	VOLTS	WATTS	BLADE	MATERIAL
2478-A6-F	PULLER	12VDC	160W	STRAIGHT	MFGF NYLON

*ALSO AVAILABLE IN 24VDC



VECTOR FAN

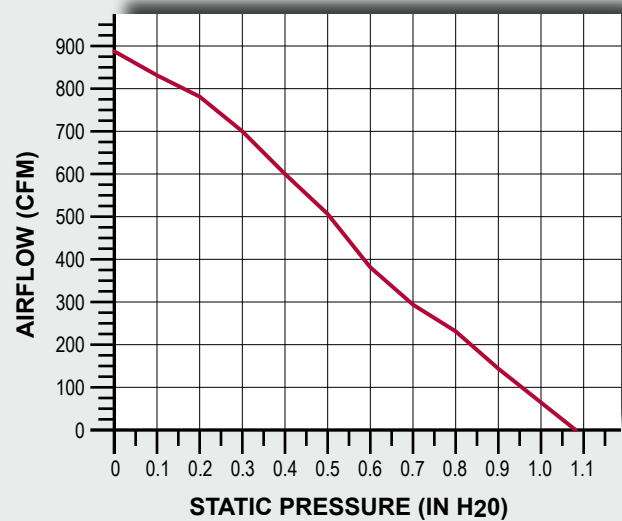


TYPICAL AIR PERFORMANCE @ 13.5VDC

11" 160W STRAIGHT BLADE PULLER FANS

STATIC PRESSURE IN H ₂ O	STATIC PRESSURE mm H ₂ O	CFM	m ³ /h	Amps
0	0.0	885	1504	6.9
0.1	2.5	834	1417	7.3
0.2	5	780	1325	7.6
0.3	7.5	699	1188	7.7
0.4	10	599	1018	7.8
0.5	12.5	508	863	7.6
0.6	15	390	663	7.3
0.7	17.5	291	494	7.4
0.8	20	230	391	7.6
0.9	22.5	151	257	7.6

STALL @ 1.08" [27.4mm] - 7.8Amps



11" HIGH PROFILE