

# 12VDC AXIAL MOTOR FANS

FAN DIAMETER  
10" [255mm]

## MODEL INFORMATION\*

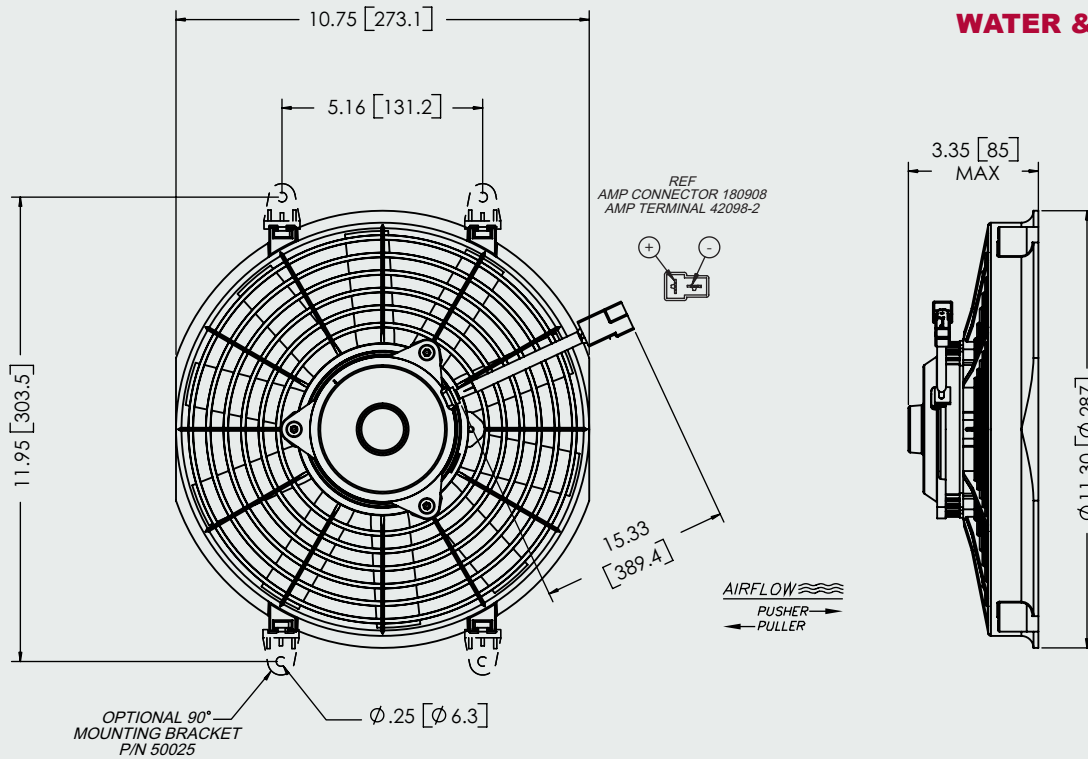
PART#	TYPE	VOLTS	WATTS	BLADE	MATERIAL
850026HP	PULLER	12VDC	140W	STRAIGHT	MFGF NYLON
850028HP	PUSHER	12VDC	140W	STRAIGHT	MFGF NYLON

\*ALSO AVAILABLE IN 24VDC



## REVERSIBLE

WATER & DUST RESISTANT



10" LOW PROFILE

## TYPICAL AIR PERFORMANCE @ 13.5VDC

10" 140W STRAIGHT BLADE PULLER/PUSHER FANS

STATIC PRESSURE IN H <sub>2</sub> O	STATIC PRESSURE mm H <sub>2</sub> O	CFM	m <sup>3</sup> /h	Amps
0	0.0	697	1184	5.5
0.1	2.5	625	1062	5.5
0.2	5	543	923	5.5
0.3	7.5	434	737	5.4
0.4	10	295	501	5.3
0.5	12.5	199	338	5.4
0.6	15	79	134	5.4

STALL @ 0.68" [17.3mm] - 5.5 Amps

